

Item description/product images



Description

Material:

QT steel.

Screws tempered grade 8.8

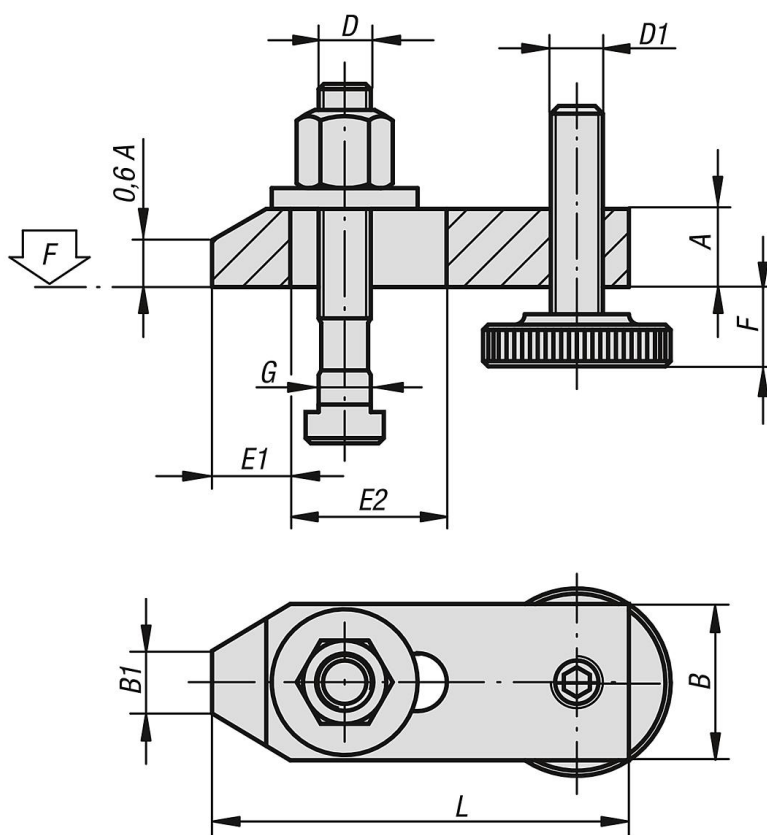
Version:

Clamp strap painted. Screws black oxidised.

Note:

“F” is dependent on the depth of the DIN 650 slot.

Drawings



Overview of items

Order No.	L	A	B	B1	E1	E2	F	G for T-slot	D	D1	F kN
04192-1010	80	15	30	12	15	30	8-32	10	M10x80	M10	13,9
04192-1212	100	20	40	14	21	40	10-40	12	M12x100	M12	20,2
04192-1214	100	20	40	14	21	40	10-38	14	M12x100	M12	20,2
04192-1616	125	25	50	18	26	45	13-49	16	M16x125	M16	37,8
04192-1618	125	25	50	18	26	45	13-46	18	M16x125	M16	37,8
04192-2020	160	30	60	22	30	60	16-65	20	M20x160	M20	58,8
04192-2022	160	30	60	22	30	60	16-65	22	M20x160	M20	58,8

