

Item description/product images



Description

Material:

Glass bead reinforced thermoplastic.

Version:

Black RAL 7021 or orange.

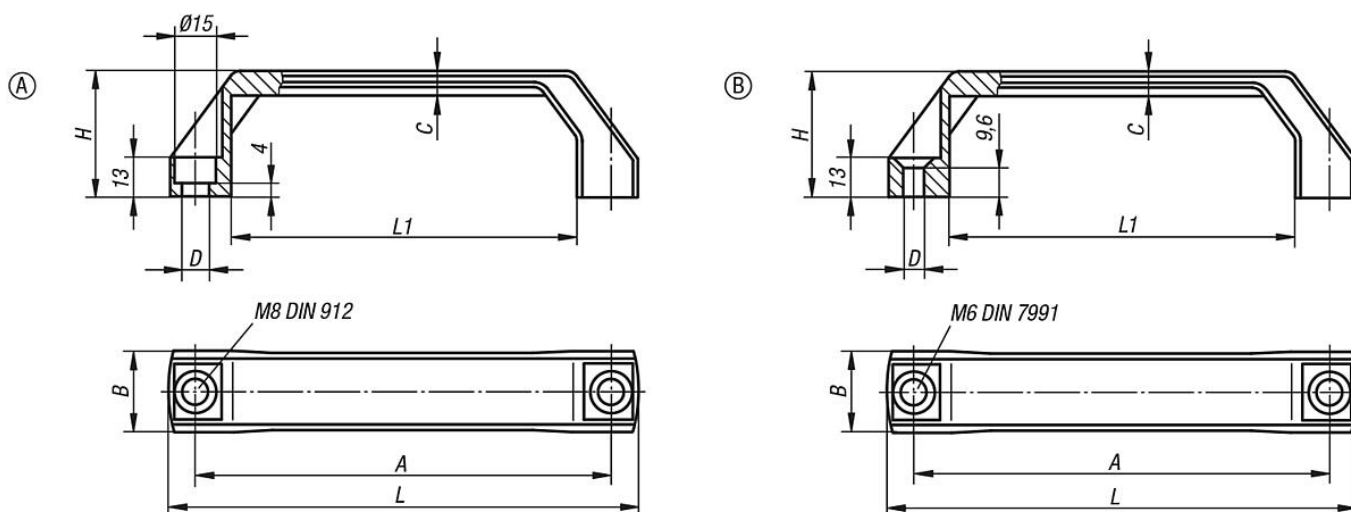
Note:

Dimension "A" applies after mounting. Before mounting it can be up to 2 mm smaller due to the release of the bending stress.

Assembly:

From the front.

Drawings



Overview of items

Order No.	Form	Main colour	A	B	C	D	H	L	L1	Load capacity N
06904-1120081	A	black grey RAL 7021	120	26	8	9	42	138	96	1000
06904-1140081	A	black grey RAL 7021	140	26	8	9	42	158	116	1000
06904-1160081	A	black grey RAL 7021	160	28	9	9	45	178	136	1000
06904-1120082	A	orange	120	26	8	9	42	138	96	1000
06904-1140082	A	orange	140	26	8	9	42	158	116	1000
06904-1160082	A	orange	160	28	9	9	45	178	136	1000
06904-2120061	B	black grey RAL 7021	120	26	8	6,6	42	138	96	1000
06904-2140061	B	black grey RAL 7021	140	26	8	6,6	42	158	116	1000
06904-2160061	B	black grey RAL 7021	160	28	9	6,6	45	178	136	1000
06904-2120062	B	orange	120	26	8	6,6	42	138	96	1000
06904-2140062	B	orange	140	26	8	6,6	42	158	116	1000
06904-2160062	B	orange	160	28	9	6,6	45	178	136	1000

Overview of items
