

Item description/product images



Description

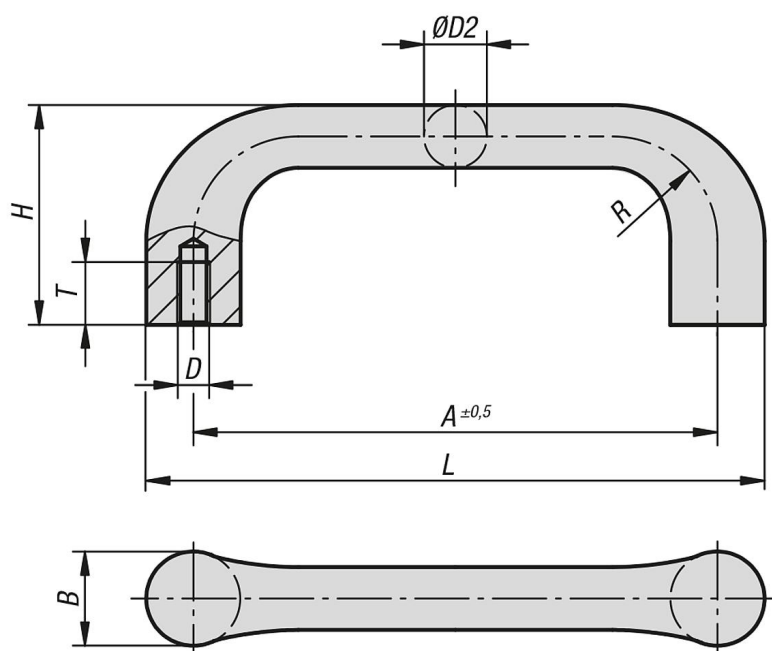
Material:

GJS 400

Version:Vibratory ground or black powder-coated.
End faces machined.**Assembly:**

From the rear.

Drawings



Overview of items

Order No.	Main colour	A	B	D	D2	H	L	R	T	Load capacity N
06895-10006	bright	100	18	M6	12	42	118	20	12	1000
06895-11208	bright	112	20	M8	14	47	132	22	15	1000
06895-12510	bright	125	22	M10	16	53	147	24	18	1000
06895-14012	bright	140	25	M12	18	59	165	26	20	1000
06895-100061	black	100	18	M6	12	42	118	20	12	1000
06895-112081	black	112	20	M8	14	47	132	22	15	1000
06895-125101	black	125	22	M10	16	53	147	24	18	1000
06895-140121	black	140	25	M12	18	59	165	26	20	1000