

Item description/product images



Angular minutes	Degrees in decimals	Height difference in millimetres per metre
1'	0.0167°	0.291 mm
5'	0.0833°	1.455 mm
10'	0.1667°	2.910 mm
20'	0.3333°	5.820 mm
25'	0.4167°	7.275 mm
30'	0.5000°	8.730 mm
40'	0.6667°	11.640 mm
50'	0.8333°	14.550 mm
53'	0.8833°	15.423 mm

Description

Material:

Frame brass.
Bullseye level body polyamide.

Version:

Nickel-plated and high-gloss polished.

Note:

Bubble levels are used as a type of zero indicator instrument for checking horizontal inclination in e.g. spirit levels, inclinometers, metrology instruments and machine constructions.

- Sensitivity in angular minutes for 2 mm bubble travel
- The bullseye level is calibrated to underside of the flange
- Bead edge with serrations for recessing
- Clear filling
- Black contrast ring
- White level base

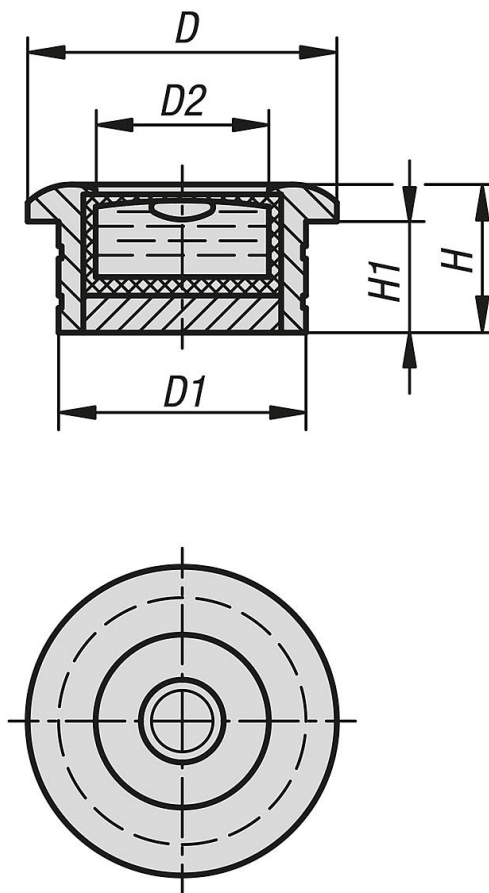
Temperature range:

-35 °C up to +55 °C.

Assembly:

- Measure the level body
- Assemble by pressing in a hole that is 0.02 mm – 0.03 mm smaller than the Ø of the level body
- A chamfer on the hole will ease pressing in

Drawings



Overview of items

Order No.	D	D1	D2	H	H1	Sensitivity
21804-181030	20	18	12	10	8	30'
21804-201230	25	20	14	12	9	30'
21804-281330	30	28	20	13	10	30'