

Item description/product images



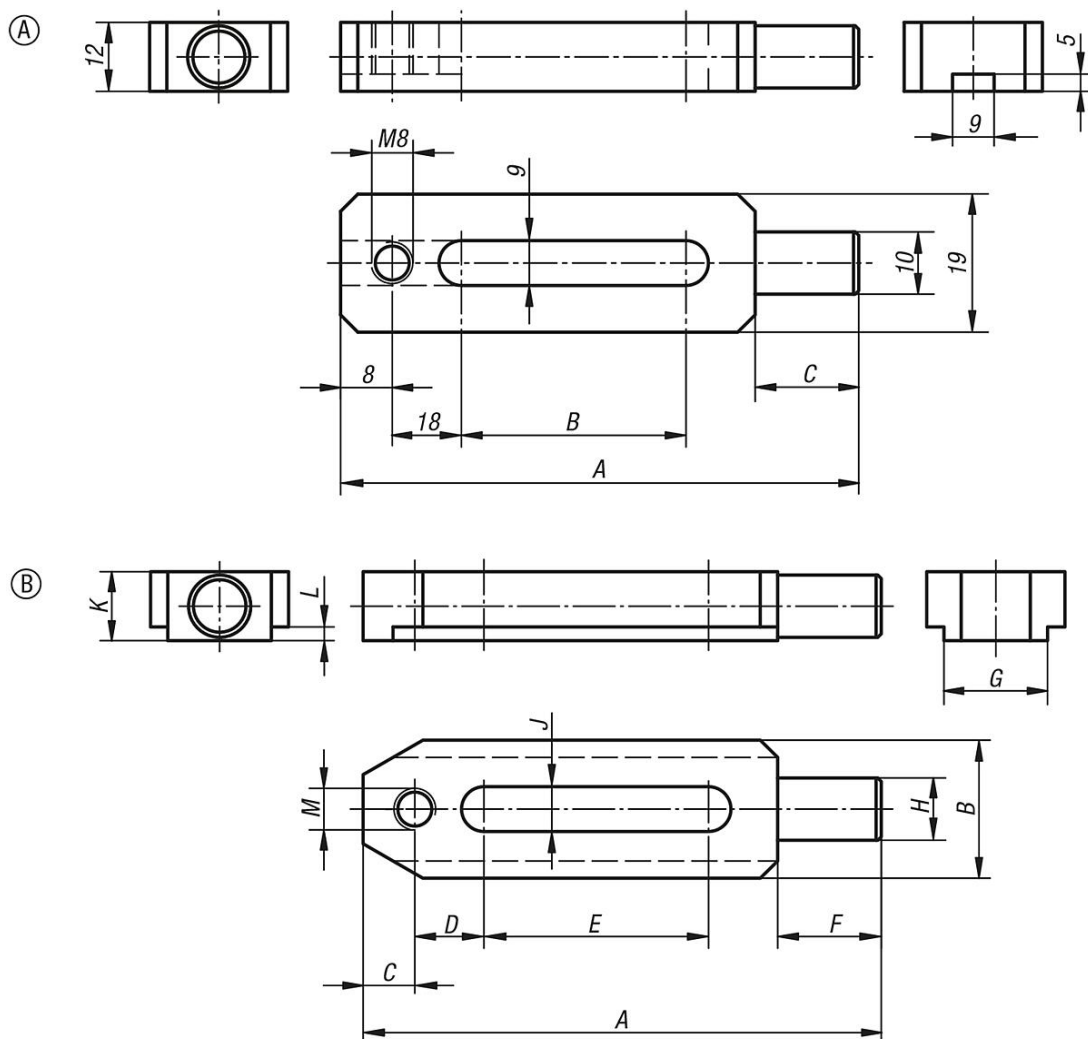
Description

Material:
Carbon steel.

Version:
Tempered and black oxidised.

Note:
Pin-end straps can be used in conjunction with other fixturing elements, such as 04160, 02035, 02153.

Drawings



Overview of items

Order No.	Form	A	B	C	D	E	F	G	H	J	K	L	M
04152-08063	A	63	15	14	-	-	-	-	-	-	-	-	-
04152-08075	A	75	20	20	-	-	-	-	-	-	-	-	-
04152-12150	B	150	40	15	20	65	30	30	18	13	20	4	M12
04152-16190	B	190	50	20	25	80	36	40	24	18	28	5	M16

