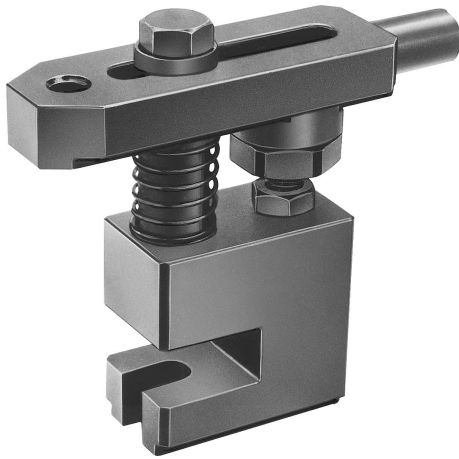


## Item description/product images



## Description

**Material:**

Carbon steel.

**Version:**

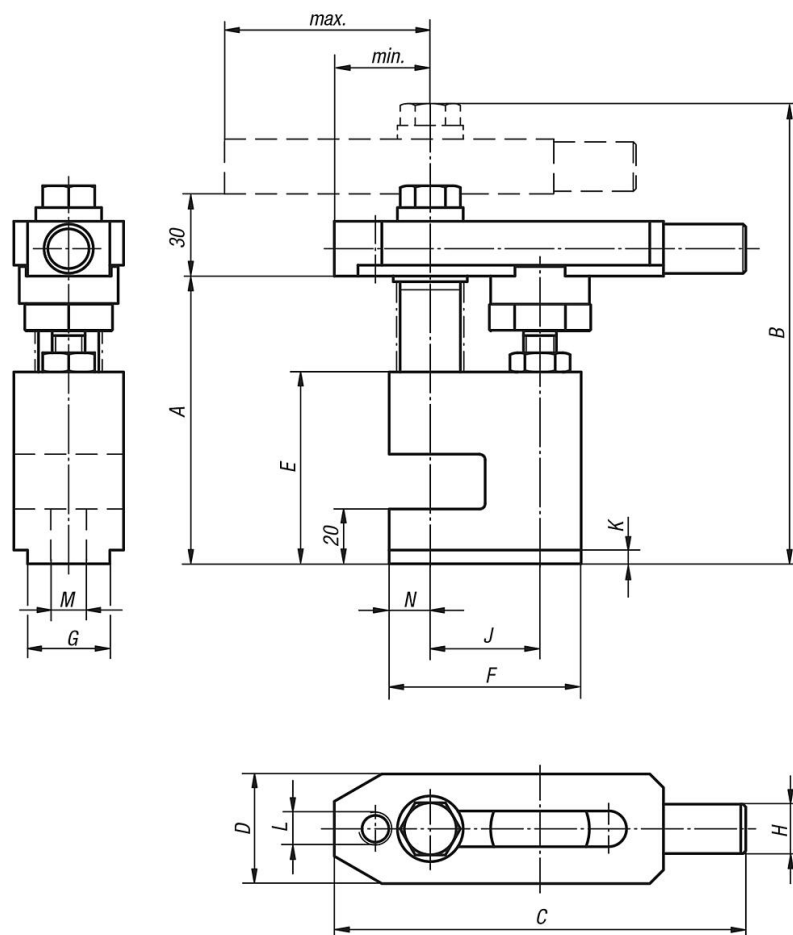
Body black oxidised.

Clamp strap and bolt tempered and black oxidised.

**Note:**

Both sides of the strap can be used for clamping workpieces. The Pin-End Clamps can be combined with other fixturing elements, such as 04160, 02035, 02153.

## Drawings



## Overview of items

Order No.	A	B	C	D	E	F	G	H	J	K	L	M	N	min.	max.
04155-12105	105	168	150	40	70	70	30	18	40	5	M12	13	15	35	75
04155-16110	110	188	190	50	75	90	40	24	50	5	M16	17	20	45	95

