

Item description/product images



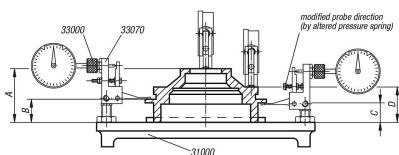
Description

Material:
Steel.

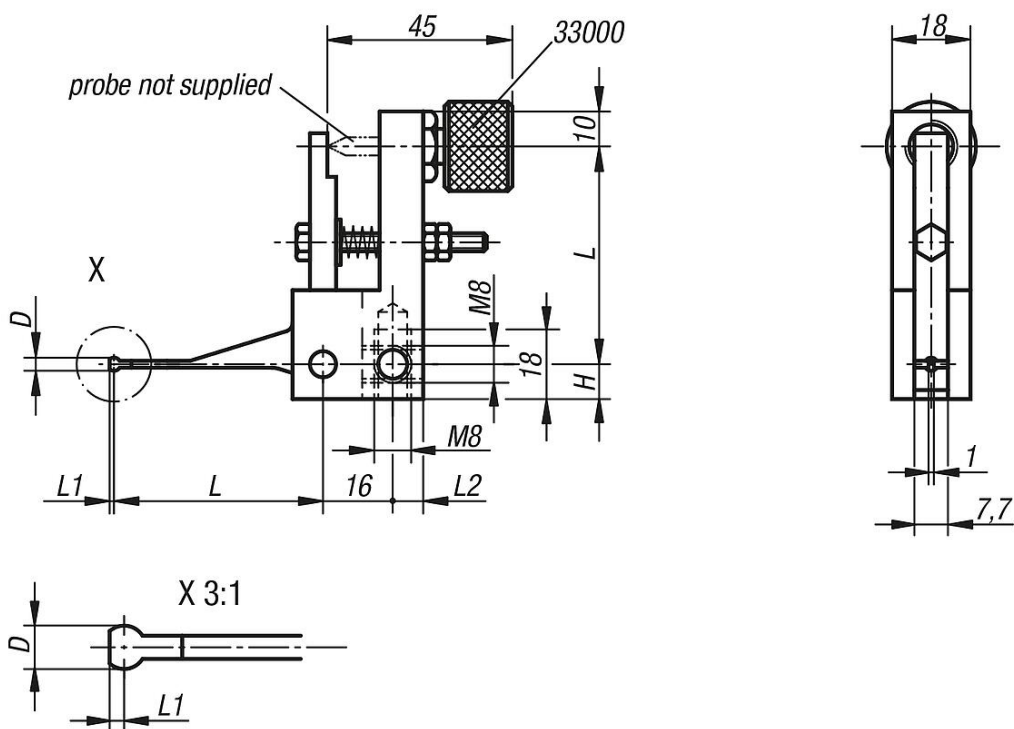
Version:
Black oxidised.

Note:
To alter the probe direction and mounting of the deflection dial gauge holder with the fastening adaptors (supplied) see technical information.

Accessory:
Dial gauges see 32540 and 32542.



Drawings



Overview of items

Order No.	L	D	L1	L2	H
33070-04803	48	3	1	7	8
33070-07008	70	8	1,5	6	10

