

## Item description/product images



## Description

**Material:**

Housing plastic.  
Magnetic core hard ferrite.

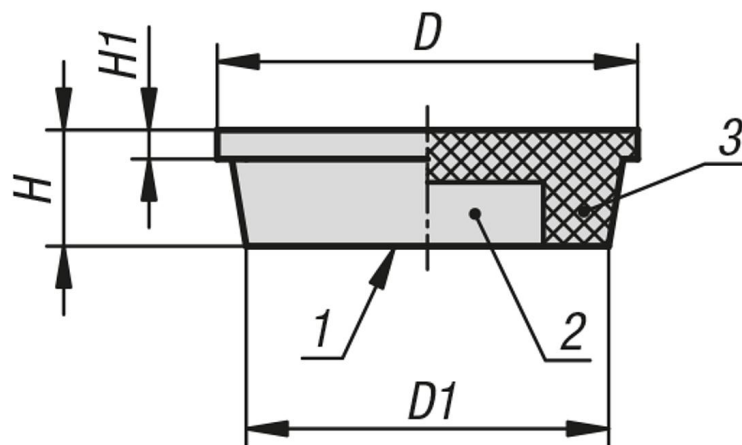
**Note:**

These magnets are often used on notice boards, whiteboards and magnetic boards.

**Drawing reference:**

- 1) Magnetic face
- 2) Magnet
- 3) Housing

## Drawings



## Overview of items

Order No.	Main colour	D	D1	H	H1	Magnetic force N
09119-10-361	white	36	32,5	9	2,2	9,5