

## Item description/product images



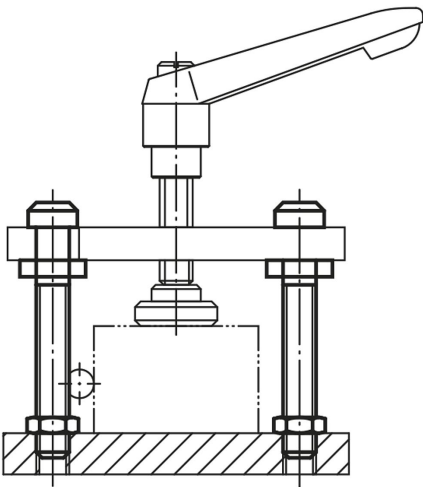
## Description

## Material:

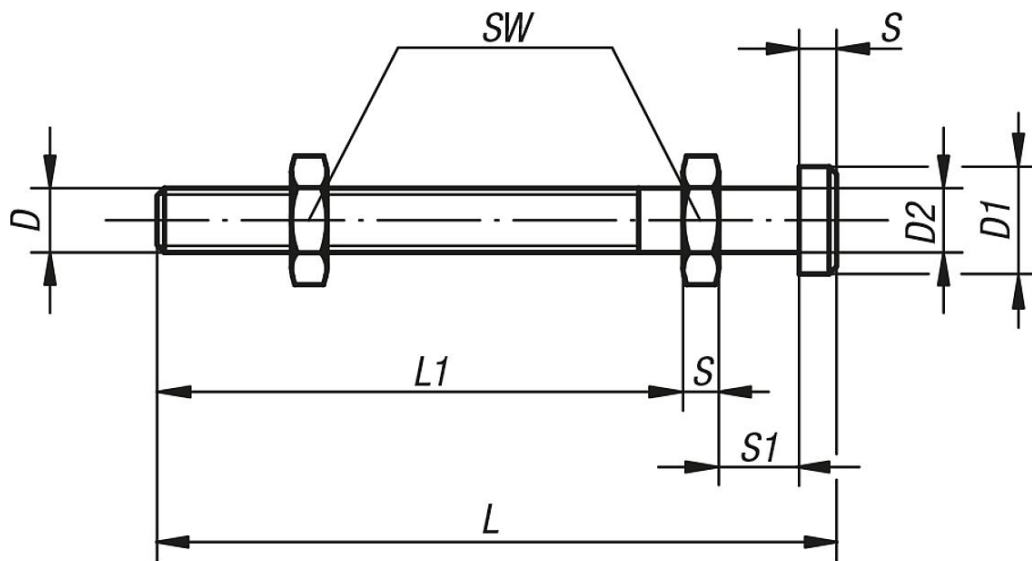
Carbon steel 1.1181.

## Version:

Tempered and black oxidised.



## Drawings



## Overview of items

Order No.	D	D1	D2	L	L1	S	S1	SW
04270-08	M8	13	8	80	60	4	11	13
04270-10	M10	17	10	100	77	5	13	17
04270-12	M12	19	12	125	97	6	15	19
04270-14	M14	22	14	160	129	7	17	22

