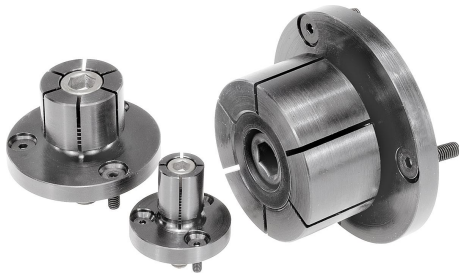


Item description/product images

**Description****Material:**

Mandrel mild steel.

Taper-head screw low-carbon steel

Version:

Mandrel black oxidised.

Taper-head screw case-hardened.

Note:

The mandrel collet is ideal for finish machining turned parts. The diameter "D" can be turned or milled to suit the workpiece ID.

Low design - no interfering clamp straps.

Tightened using a hex socket wrench or hydraulics.

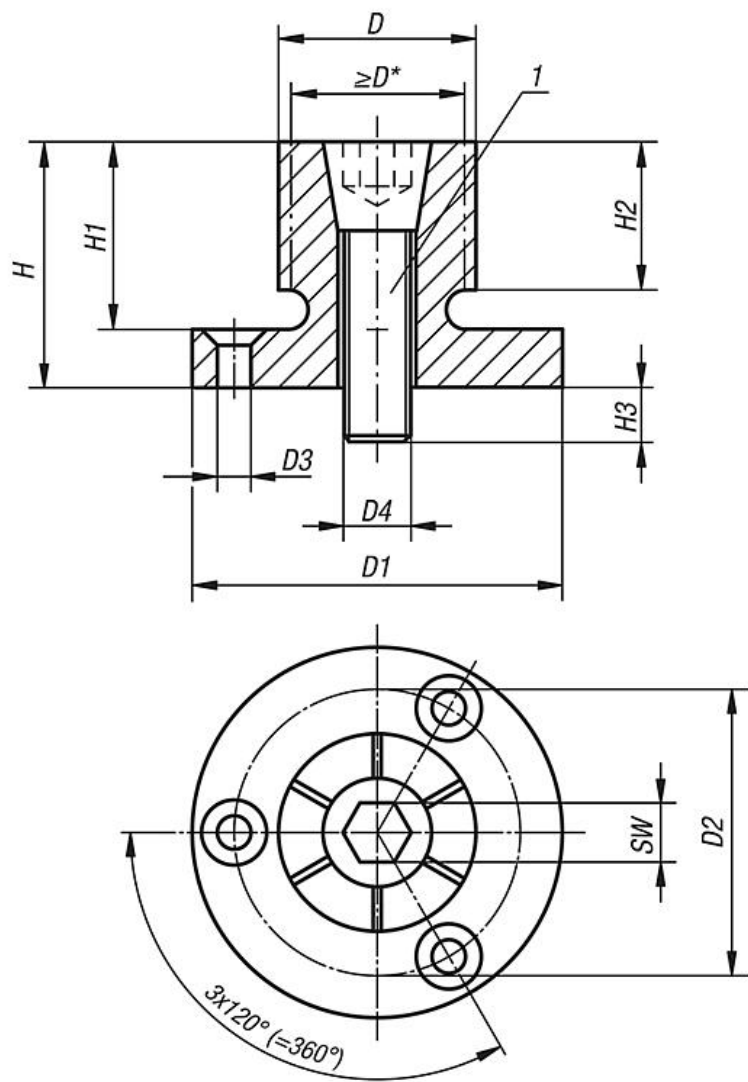
* D min. = smallest diameter to which "D" may be turned or milled.

Assembly:

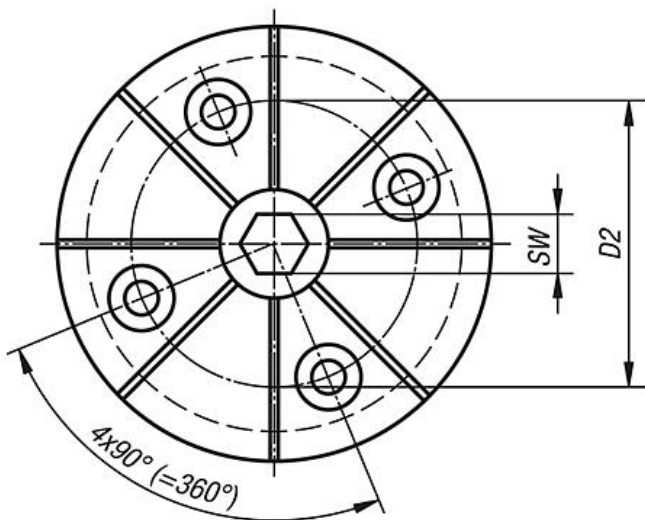
Expand the mandrel approx. 0.1 mm over the relaxed diameter. Turn or mill the mandrel to suit the internal diameter of the workpiece. The base flange can be centred in a pocket or using dowel pins.

Drawing reference:

1) taper-head screw



03157-1630175



Overview of items

Order No.	D	D min.	D1	D2	D3 for screw ISO 10642	D4 Tapered- head bolt	H	H1	H2	H3	SW Tapered- head bolt	Tightening torque max. Nm	Clamping force max. kN	Accessories NLM
03157-020407	7,4	4,1	20 h9	13,7	M2	M2	10,7	7,6	6,1	4,1	1,5	0,7	1,1	03157-01-0212
03157-040812	12,4	8	29,72 h9	21	M3	M4	21,8	16	15	8	3	5	4,2	03157-01-0425
03157-061214	14,2	12,2	31,5 h9	23,1	M3	M6	24,9	19	15	12	5	17	8,5	03157-01-0630
03157-081420	20	13,5	37,5 h9	29	M3	M8	24,9	19	15	14	6	34	11,1	03157-01-0830
03157-062027	27	18	50 h9	39,4	M4	M10	28,6	22,2	17,5	17	8	60	20	03157-01-1035
03157-102535	35,3	23	56 h9	45,5	M4	M12	31,8	25,4	20,6	21	10	150	26,3	03157-01-1240
03157-123442	42	29,3	69,5 h8	55,9	M5	M16	39,6	31,8	27	22	14	280	44,5	03157-01-1645
03157-123452	51,5	29,3	75,5 h9	63,9	M5	M16	39,6	31,8	27	22	14	280	44,5	03157-01-1645
03157-163077	77,7	29,3	107,5 h9	92,5	M6	M16	45,5	37,6	32,3	20	14	280	44,5	03157-01-1645
03157-1630103	103	29,3	132,9 h9	118	M6	M16	45,5	37,6	32,3	20	14	280	44,5	03157-01-1645
03157-1630175	175	29,3	132,9 h9	118	M6	M16	45,5	37,6	32,3	20	14	280	44,5	03157-01-1645