

Item description/product images



Description

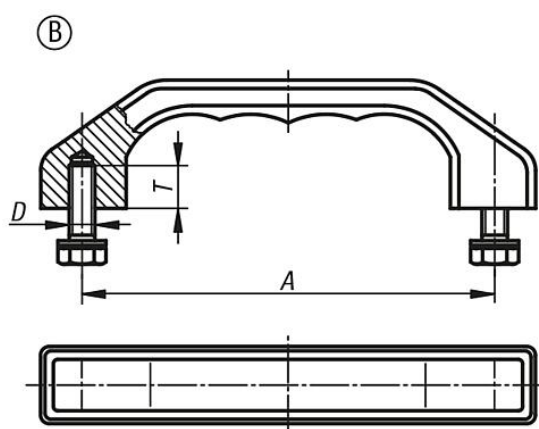
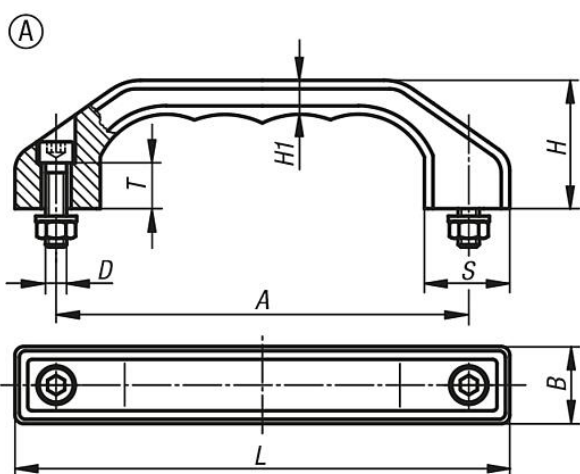
Material:

Investment cast 1.4308 stainless steel.  
Fasteners 1.4301 stainless steel.

Version:

Abrasive cleaned and matt gloss electropolished.

Drawings



Overview of items

Order No.	Form	A	B	D	H	H1	L	S	T	Load capacity N
06914-140081	A	140	25	M8x30	45	12	170	28	15	1000
06914-180101	A	180	32	M10x40	58	15	218	36	18	1000
06914-140082	B	140	25	M8x18	45	12	170	28	15	1000
06914-180102	B	180	32	M10x20	58	15	218	36	18	1000