

Item description/product images

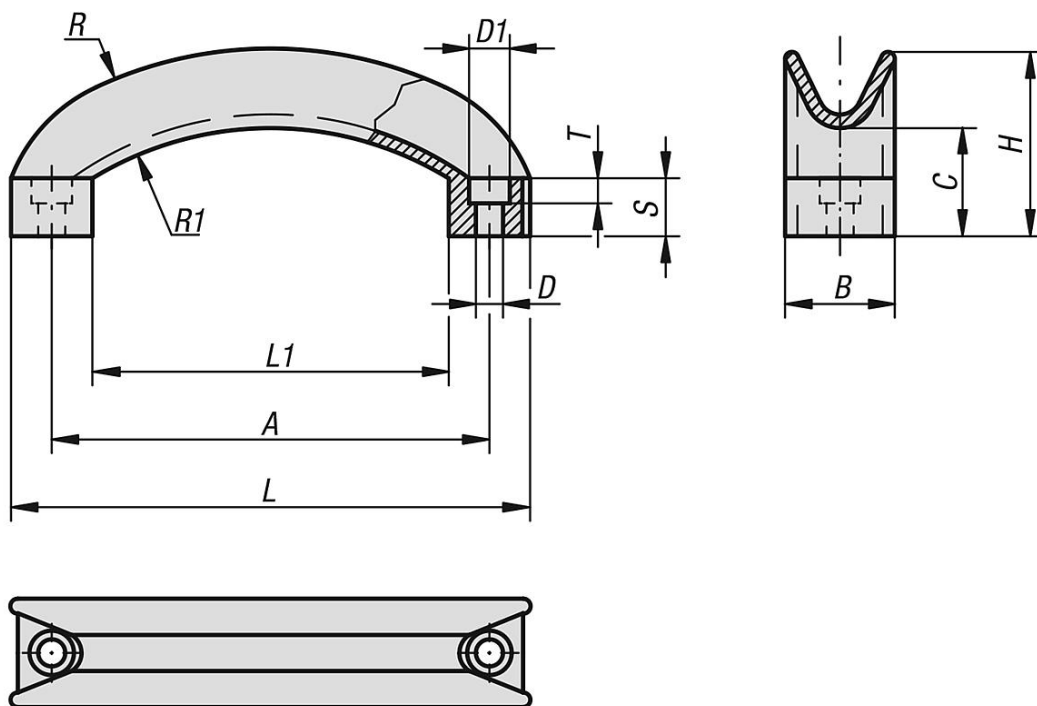


Description

**Material:**  
Black grey thermoplastic.

**Assembly:**  
From the front.

Drawings



Overview of items

Order No.	A	B	C	D	D1	H	L	L1	R	R1	S	T	Load capacity N
06909-11406	114	28	29	6,5	10,5	48	134	92	117	79	15	6,5	1000