

Item description/product images

**Description****Material:**

Thermoplastic.
DIN 7984 screws and DIN 985 nuts steel.

Version:

Black.
Screws and nuts electro zinc-plated.

Note:

The standard size for round tubes is $\varnothing 18$ mm or $\varnothing 30$ mm. Use reducer sleeves 29042 if smaller tubes are to be clamped or a conversion from round to square tubes is required.

On request:

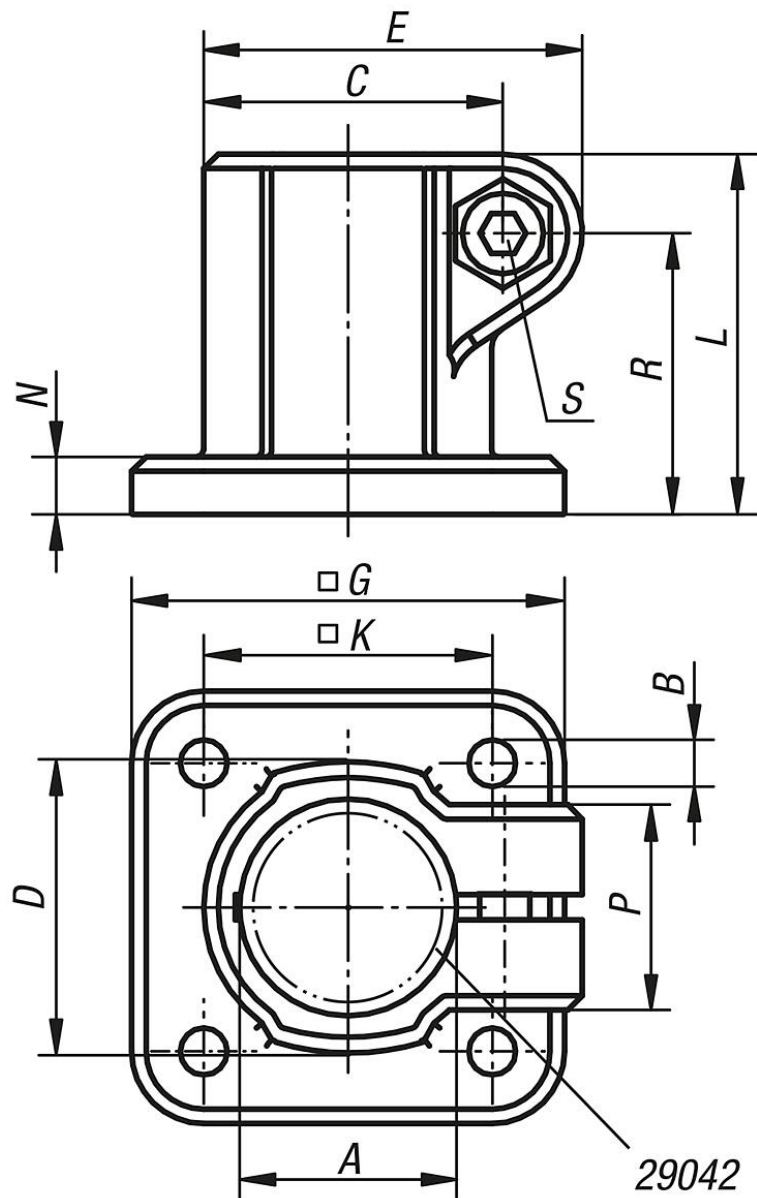
Plastic clamping levers for tightening.

Accessory:

- Reducer sleeves 29042
- Round and square tubes 29050



Drawings



Overview of items

Order No.	A	B	C	D	E	G	K	L	N	P	R	S
29010-18	18	5,3	26,5	26	34	45	30	32	5	21	24,5	M6x18
29010-30	30	6,5	41,5	42	52,5	60	40	50	8	28,5	39	M8x25