

## Item description/product images



## Description

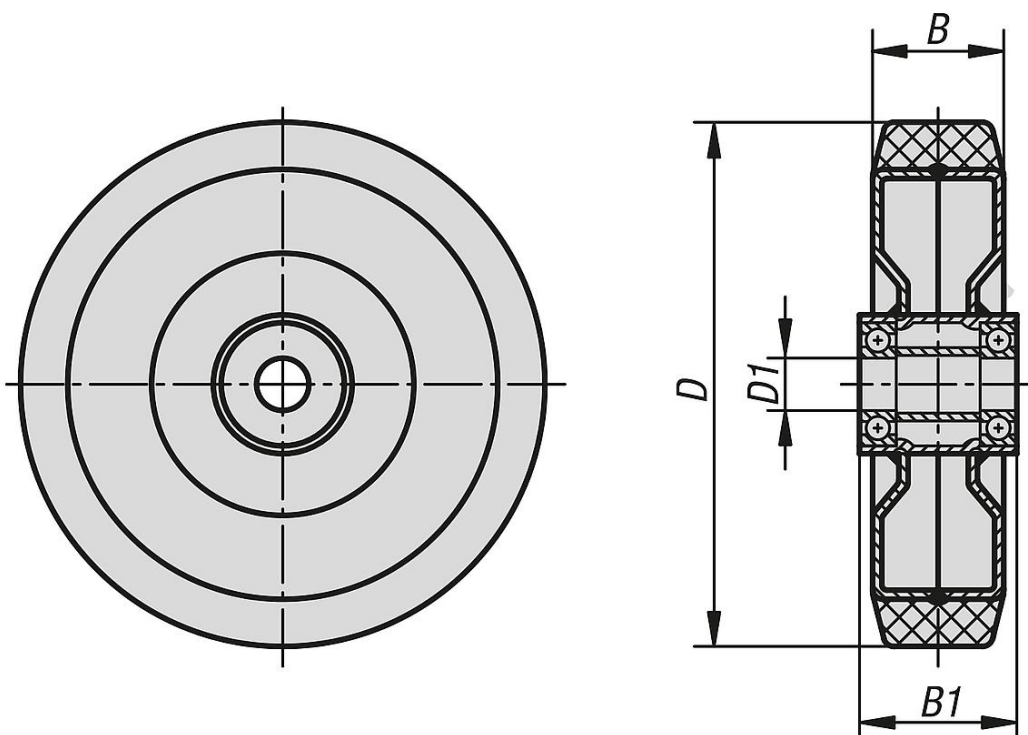
**Material:**

Wheel body welded steel construction.  
Tread Extrathane®.

**Note:**

Extrathane treads are elastic, resist abrasion, gentle to floors, low-noise and have particularly high elastic restoration after long standing.  
Application temperature from -40 °C to +80 °C.  
Suitable as replacement rollers for the castors 95030 and 95032.

## Drawings



## Overview of items

Order No.	Wheel bearing	D	D1	B	B1	Permissible load kg
95060-12550	ball bearing	125	20	50	60	500
95060-16050	ball bearing	160	20	50	60	700
95060-20050	ball bearing	200	20	50	60	1000
95060-25060	ball bearing	250	25	60	70	1350

