

Item description/product images

**Description****Material:**

Steel.

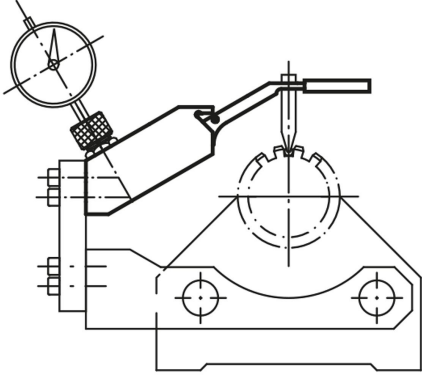
Version:

Black oxidised.

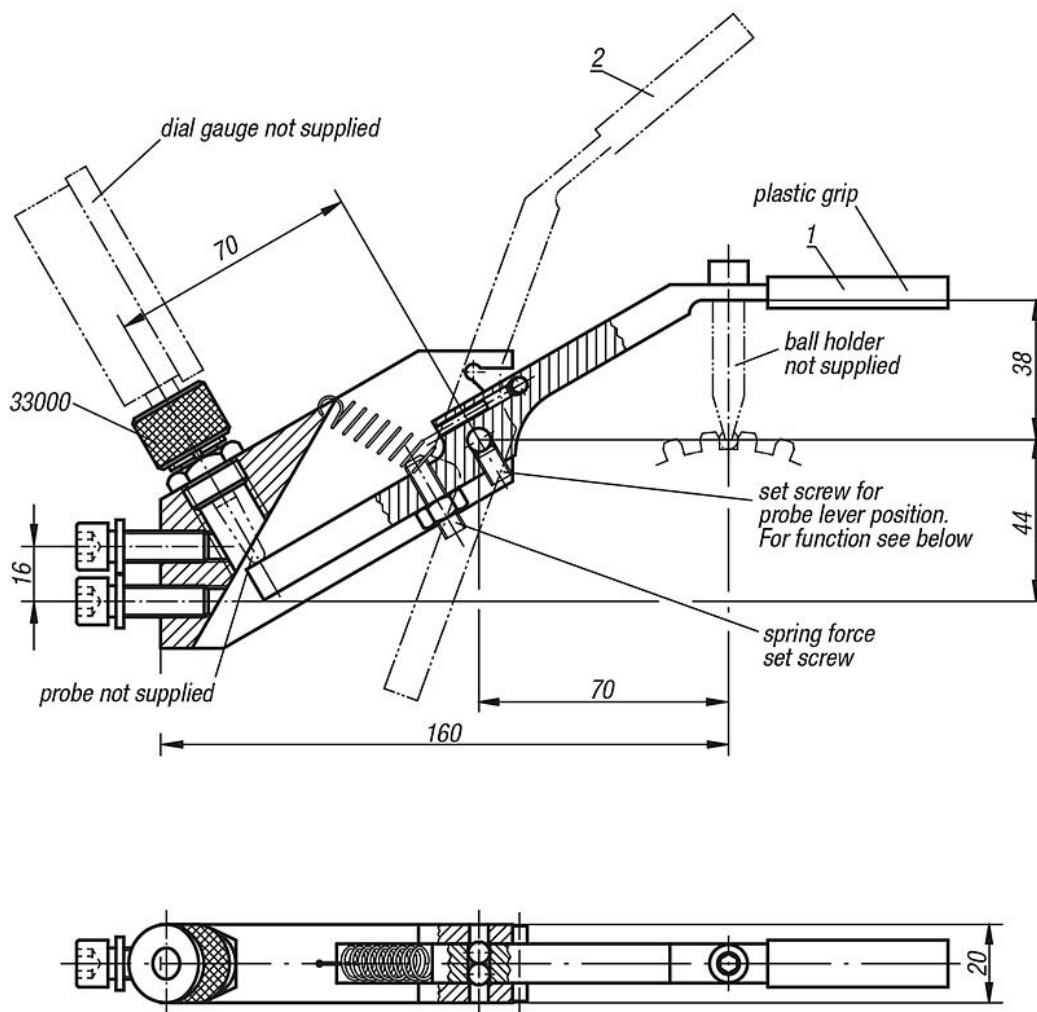
Note:

- 1 = Probe lever in test position
- 2 = Probe lever at rest, engaged

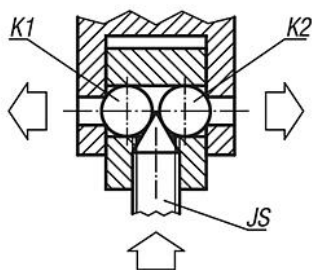
Suitable ball holder see 32205.
Dial gauges see 32540 and 32542.
Probe inserts see 33040 up to 33052.



Drawings



Setting the probe lever position



Screwing the set screw JS in forces the balls K1 and K2 apart and presses them against the walls enabling play-free adjustment.

Overview of items

Order No.	Dimensions
33202-070	see drawing

