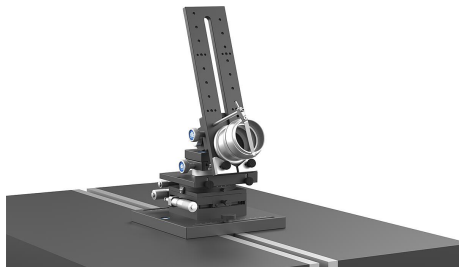
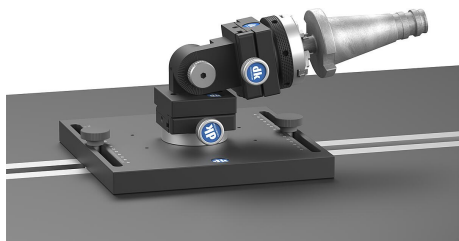
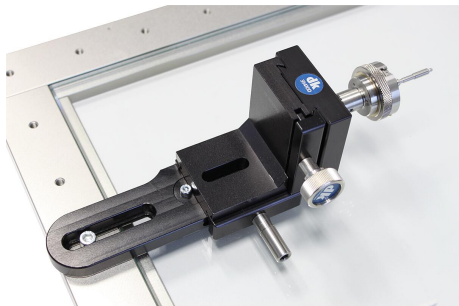


Item description/product images



Description

Material:

Body aluminium.
Components stainless steel.

Version:

Body hard-coated.
Components bright.

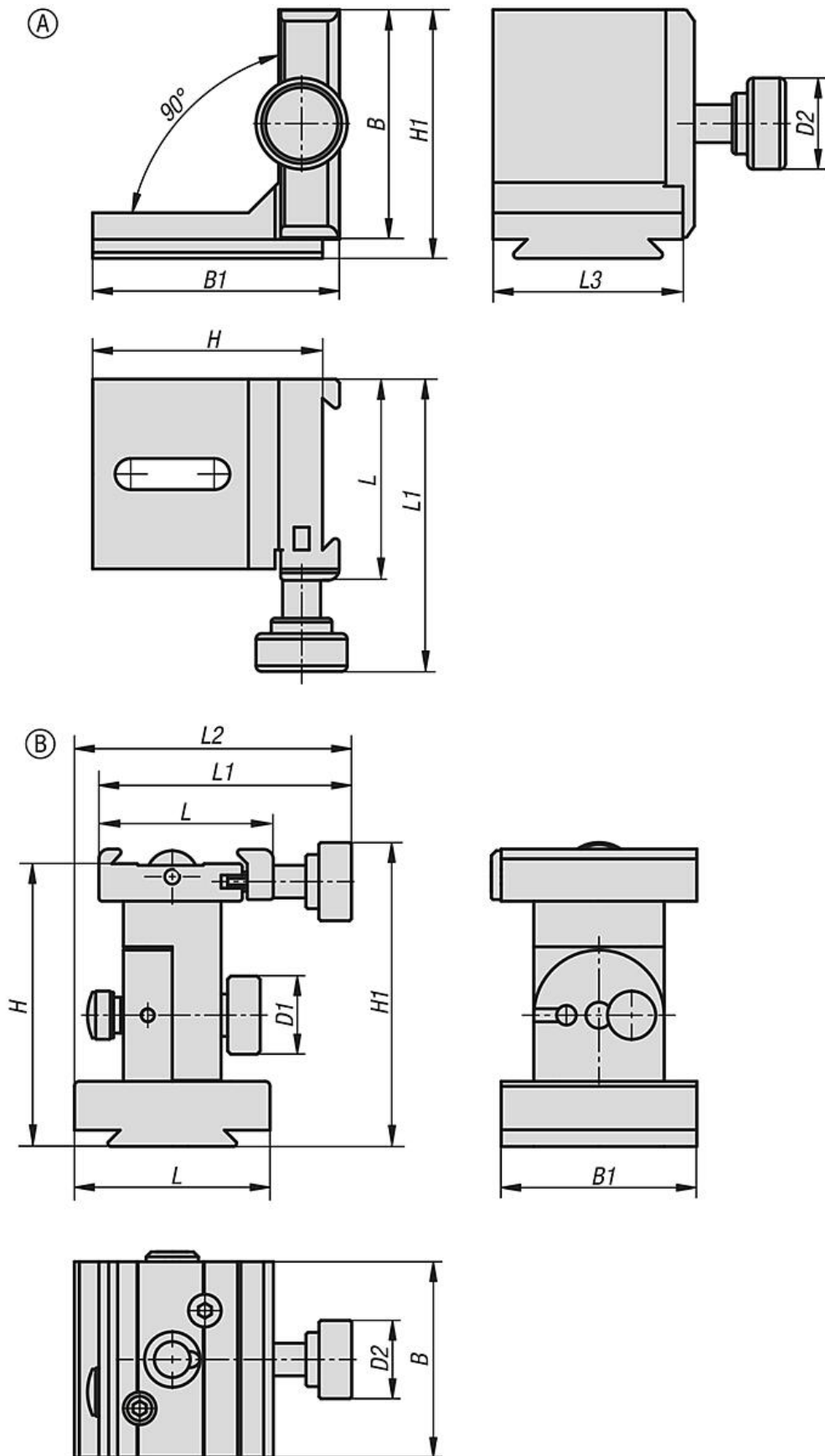
Note:

The angle elements can be mounted on the basic quick-action clamps, base plates or positioning stages tool-free and can be combined and connected with all products with quick-release mounts.

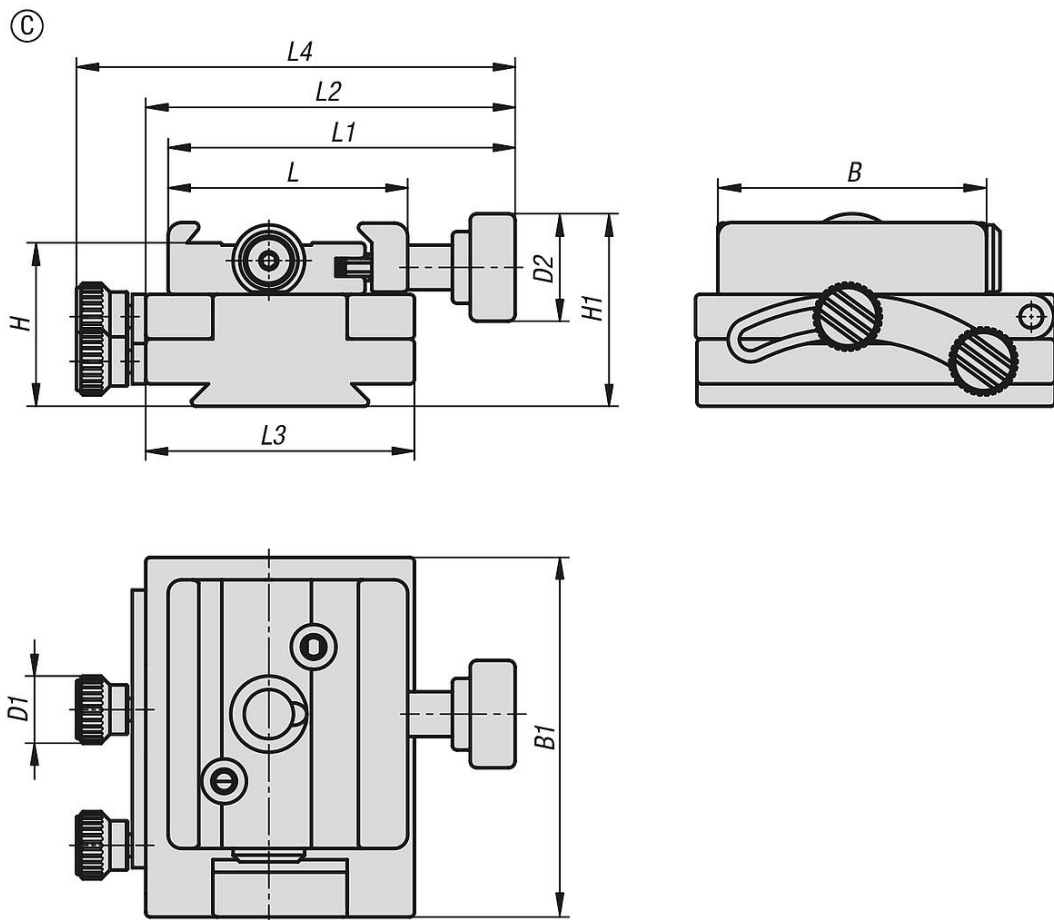
Accessory:

Baseplates 34031.
Positioning stage 34031-05.
Basic quick-action clamp 33227-05.
Basic quick-action clamp 34006.
Basic quick-action clamp 34021.
Cross table 34031-10.
Rotatable quick-action clamp with angle element 34007.
Rotatable quick-action clamp 34007-02.
Precision vice 33225-5003511.
Precision centric vice 34010.
Adapter 33225-20.
Precision 3-jaw chuck 34011.
Adapter 33226-05.
Needle support 33227.
Small part clamp 34012.
Magnetic V-block 34013.
V-block with spring finger 34013-05.
V-block 34013-10.

Drawings



Drawings



Overview of items

Quick-action clamp, aluminium with angle element

Order No.	Form	Form definition	B	B1	D1	D2	H	H1	L	L1	L2	L3	L4
33227-10-0	A	-	60,5	64,9	-	24	60,5	65,5	53,5	77	-	50	-
33227-10-1	B	-	60	60	24	24	86,8	93,3	53,5	77,5	85	60	-
33227-10-2	C	compact, adjustable	60	80	15	24	36,5	43,1	53,5	77,5	82,5	60	98