

## Item description/product images



## Description

**Material:**

Carbon steel.

**Version:**

Black oxidised.

**Note:**

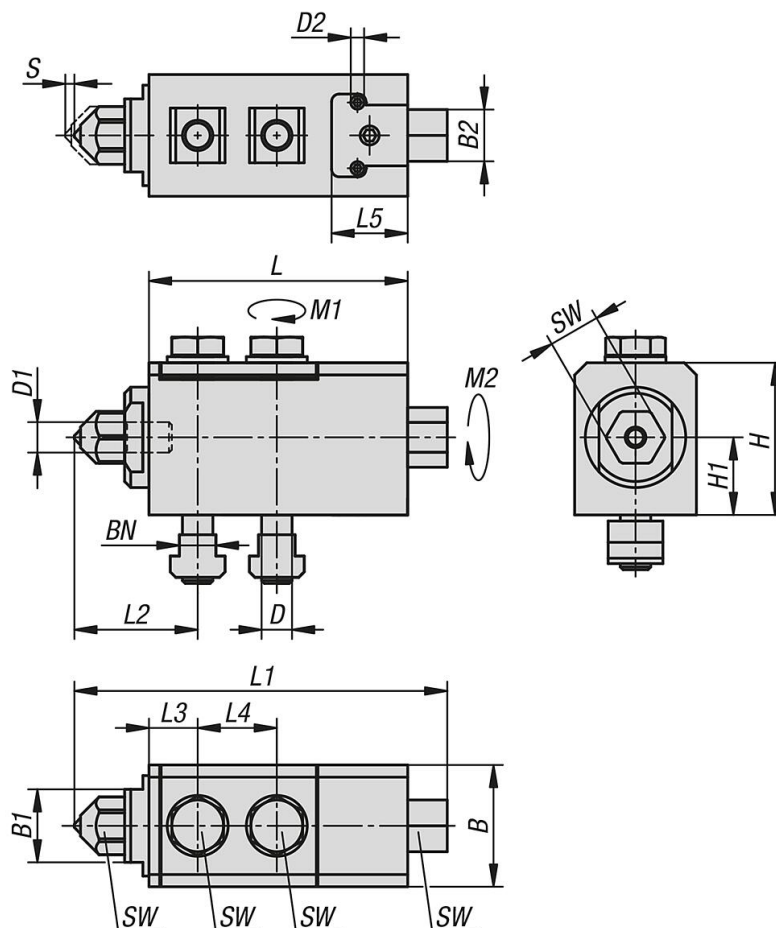
This mechanical side clamp which has no draw-down effect can be used as a clamping or stop element.

ISO 4014 (10.9) fastening bolts and DIN 508 T-slot nuts are supplied.

**Advantages:**

- Compact construction
- Can be used horizontally or vertically
- Replaceable thrust screw

## Drawings



## Overview of items

Order No.	Size	B	B1	B2	D	D1	D2	H	H1	Travel S	L	L1 min.	L1 max.	L2 min.	L2 max.	L3	L4	L5	F kN	Slot width	SW	Tightening torque M1 Nm	Tightening torque M2 Nm
04580-14	14	40	24	20	M10	M10	M6	50	25,5	4	85	122,5	126,5	40,5	44,5	16	26	25	14	12	17	67	45
04580-20	20	47,5	27	20	M12	M12	M6	56	27,5	6	98	139	146	43,7	50,4	18,2	30	25	20	14	19	83	60
04580-30	30	67	36	20	M16	M16	M6	71,5	34	10	134	189,5	199,5	60,5	70,5	26,5	36	32	30	18	24	205	125