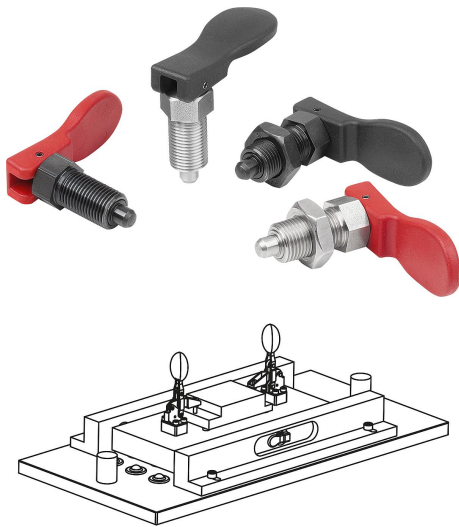


Item description/product images

**Description****Product description:**

Indexing plungers are used where it is necessary to prevent changes of position due to lateral forces. A new locking position can be set only after the plunger has been manually disengaged. With this indexing plunger a cam lever is used to retract the pin. The indexing plunger remains unlocked as long as the handle is positioned over the dead-centre of the cam.

The ergonomic cam lever enables light handling with low effort.

Material:

Steel version:

Grub screw and indexing pin steel.

Stainless steel version:

Threaded sleeve 1.4305.

Indexing pin 1.4305.

Handle fibreglass reinforced thermoplastic PPA (high temperature resistant).

Version:

Steel version:

Threaded sleeve, black oxidised.

Indexing pin hardened, ground and black oxidised.

Stainless steel version:

Threaded sleeve, bright.

Indexing pin ground and left bright.

Grip black or traffic red RAL3020.

Temperature range:

Permanent operating temperature acc. to IEC 216 max. 160°C.

Short-term operating temperature max. 250°C.

Advantages:

Simple and quick operation.

Suitable for high temperature applications.

With integrated detent function.

On request:

Special versions.

Accessory:

Spacer rings 03089

Positioning bushes for indexing plunger 03099-50

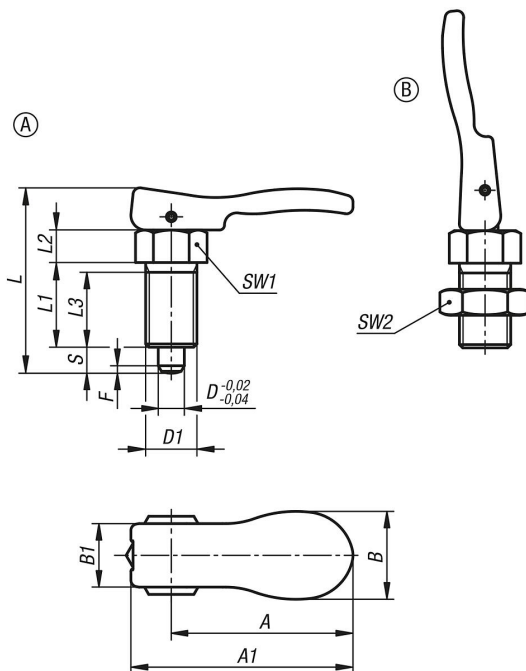
Mounting brackets 03099

Drawing reference:

Form A: without locknut

Form B: with locknut

Drawings



Overview of items

Order No.	Main material	Component colour	Form	Locknut	A	A1	B	B1	D	D1	Travel S	L	L1	L2	L3	SW1	SW2	Fx30°	Spring force initial pressure F1 approx. N	Spring force final pressure F2 approx. N
03090-8105	steel	black	A	without locknut	31,7	41,7	17,9	12,9	5	M10x1	5	39	17	7	15	13	-	1,3	5	12
03090-8206	steel	black	A	without locknut	31,6	41,7	17,9	12,9	6	M12x1,5	6	44	20	8	17	14	-	1,8	6	14
03090-8308	steel	black	A	without locknut	55,5	67,8	26,9	19,4	8	M16x1,5	8	56,9	26	10	23	19	-	2,3	15	35
03090-8410	steel	black	A	without locknut	53,4	67,8	26,9	19,4	10	M20x1,5	10	62,9	28	12	25	22	-	2,8	15	34
03090-8105154	steel	traffic red RAL 3020	A	without locknut	31,7	41,7	17,9	12,9	5	M10x1	5	39	17	7	15	13	-	1,3	5	12
03090-8206154	steel	traffic red RAL 3020	A	without locknut	31,6	41,7	17,9	12,9	6	M12x1,5	6	44	20	8	17	14	-	1,8	6	14
03090-8308154	steel	traffic red RAL 3020	A	without locknut	55,5	67,8	26,9	19,4	8	M16x1,5	8	56,9	26	10	23	19	-	2,3	15	35
03090-8410154	steel	traffic red RAL 3020	A	without locknut	53,4	67,8	26,9	19,4	10	M20x1,5	10	62,9	28	12	25	22	-	2,8	15	34
03090-18105	stainless steel	black	A	without locknut	31,7	41,7	17,9	12,9	5	M10x1	5	39	17	7	15	13	-	1,3	5	12
03090-18206	stainless steel	black	A	without locknut	31,6	41,7	17,9	12,9	6	M12x1,5	6	44	20	8	17	14	-	1,8	6	14
03090-18308	stainless steel	black	A	without locknut	55,5	67,8	26,9	19,4	8	M16x1,5	8	56,9	26	10	23	19	-	2,3	15	35
03090-18410	stainless steel	black	A	without locknut	53,4	67,8	26,9	19,4	10	M20x1,5	10	62,9	28	12	25	22	-	2,8	15	34
03090-18105154	stainless steel	traffic red RAL 3020	A	without locknut	31,7	41,7	17,9	12,9	5	M10x1	5	39	17	7	15	13	-	1,3	5	12
03090-18206154	stainless steel	traffic red RAL 3020	A	without locknut	31,6	41,7	17,9	12,9	6	M12x1,5	6	44	20	8	17	14	-	1,8	6	14
03090-18308154	stainless steel	traffic red RAL 3020	A	without locknut	55,5	67,8	26,9	19,4	8	M16x1,5	8	56,9	26	10	23	19	-	2,3	15	35
03090-18410154	stainless steel	traffic red RAL 3020	A	without locknut	53,4	67,8	26,9	19,4	10	M20x1,5	10	62,9	28	12	25	22	-	2,8	15	34
03090-9105	steel	black	B	with locknut	31,7	41,7	17,9	12,9	5	M10x1	5	39	17	7	15	13	17	1,3	5	12
03090-9206	steel	black	B	with locknut	31,6	41,7	17,9	12,9	6	M12x1,5	6	44	20	8	17	14	19	1,8	6	14
03090-9308	steel	black	B	with locknut	55,5	67,8	26,9	19,4	8	M16x1,5	8	56,9	26	10	23	19	24	2,3	15	35
03090-9410	steel	black	B	with locknut	53,4	67,8	26,9	19,4	10	M20x1,5	10	62,9	28	12	25	22	30	2,8	15	34
03090-9105154	steel	traffic red RAL 3020	B	with locknut	31,7	41,7	17,9	12,9	5	M10x1	5	39	17	7	15	13	17	1,3	5	12
03090-9206154	steel	traffic red RAL 3020	B	with locknut	31,6	41,7	17,9	12,9	6	M12x1,5	6	44	20	8	17	14	19	1,8	6	14
03090-9308154	steel	traffic red RAL 3020	B	with locknut	55,5	67,8	26,9	19,4	8	M16x1,5	8	56,9	26	10	23	19	24	2,3	15	35
03090-9410154	steel	traffic red RAL 3020	B	with locknut	53,4	67,8	26,9	19,4	10	M20x1,5	10	62,9	28	12	25	22	30	2,8	15	34
03090-19105	stainless steel	black	B	with locknut	31,7	41,7	17,9	12,9	5	M10x1	5	39	17	7	15	13	17	1,3	5	12
03090-19206	stainless steel	black	B	with locknut	31,6	41,7	17,9	12,9	6	M12x1,5	6	44	20	8	17	14	19	1,8	6	14
03090-19308	stainless steel	black	B	with locknut	55,5	67,8	26,9	19,4	8	M16x1,5	8	56,9	26	10	23	19	24	2,3	15	35
03090-19410	stainless steel	black	B	with locknut	53,4	67,8	26,9	19,4	10	M20x1,5	10	62,9	28	12	25	22	30	2,8	15	34
03090-19105154	stainless steel	traffic red RAL 3020	B	with locknut	31,7	41,7	17,9	12,9	5	M10x1	5	39	17	7	15	13	17	1,3	5	12
03090-19206154	stainless steel	traffic red RAL 3020	B	with locknut	31,6	41,7	17,9	12,9	6	M12x1,5	6	44	20	8	17	14	19	1,8	6	14
03090-19308154	stainless steel	traffic red RAL 3020	B	with locknut	55,5	67,8	26,9	19,4	8	M16x1,5	8	56,9	26	10	23	19	24	2,3	15	35
03090-19410154	stainless steel	traffic red RAL 3020	B	with locknut	53,4	67,8	26,9	19,4	10	M20x1,5	10	62,9	28	12	25	22	30	2,8	15	34

