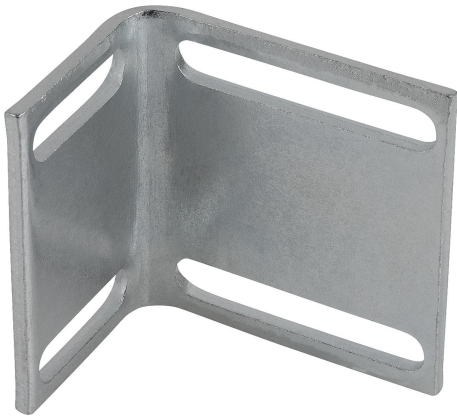


Item description/product images



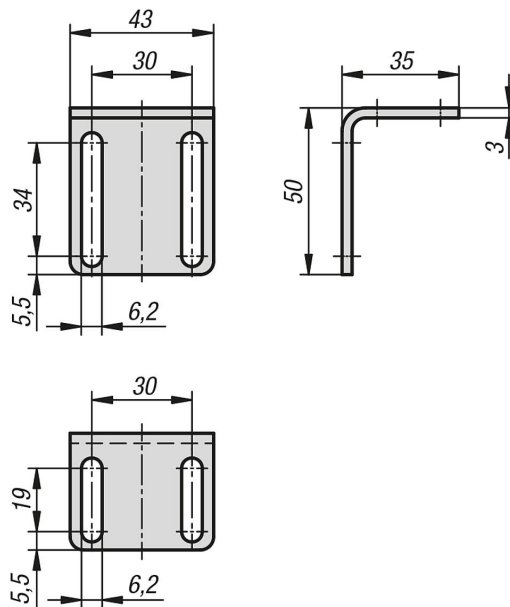
Description

Material:
Steel.

Version:
Electro zinc-plated.

Note:
These angle brackets enable the magnetic catch to be flexibly positioned.

Drawings



Overview of items

Order No.	Dimensions
03075-11-9503543	see drawing