

Item description/product images



Description

Material:

Thermoset PF 31, black.
Steel bush and stud, electro zinc-plated.

Version:

High-gloss polished.

On request:

Other colours.

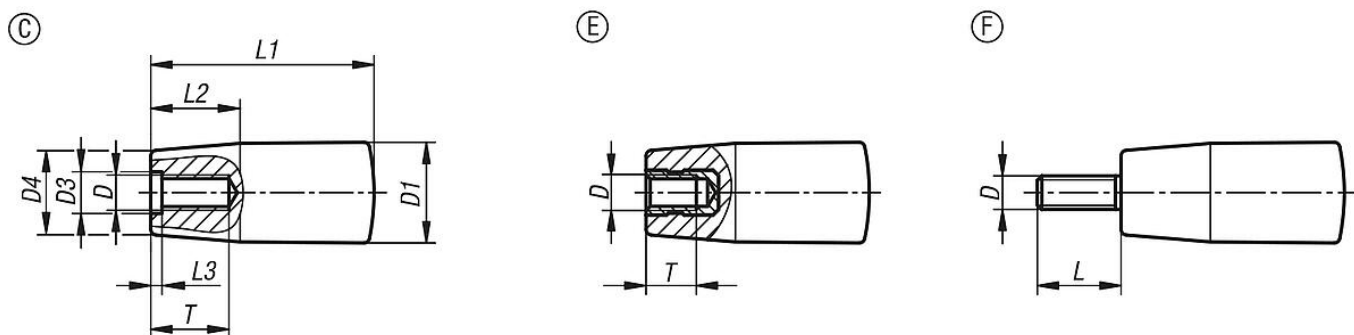
Drawing reference:

Form C: moulded internal thread

Form E: tapped bush

Form F: external thread

Drawings



Overview of items

Taper grips with internal thread

Order No.	Form	Thread type	D	D1	D3	D4	L	L1	L2	L3	T
06319-10618	C	internal thread	M6	18	6,2	15	-	40	16	2	14
06319-10818	C	internal thread	M8	18	8,5	15	-	40	16	2	18
06319-10823	C	internal thread	M8	23	8,5	19	-	65	24	2	18
06319-11028	C	internal thread	M10	28	10,5	22	-	90	32	3,5	22
06319-20518	E	internal thread	M5	18	-	15	-	40	16	-	7,5
06319-20618	E	internal thread	M6	18	-	15	-	40	16	-	9
06319-20823	E	internal thread	M8	23	-	19	-	65	24	-	12
06319-20828	E	internal thread	M8	28	-	22	-	90	32	-	12
06319-21028	E	internal thread	M10	28	-	22	-	90	32	-	15
06319-30618	F	external thread	M6	18	-	15	15	40	16	-	-
06319-30823	F	external thread	M8	23	-	19	15	65	24	-	-
06319-31028	F	external thread	M10	28	-	22	15	90	32	-	-