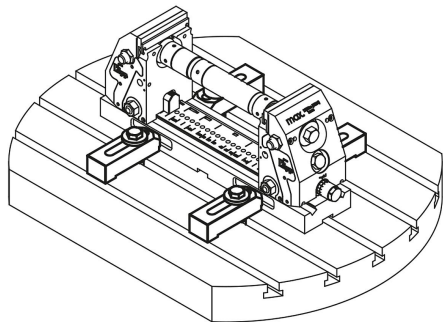


## Item description/product images



## Description

**Material:**

Carbon steel.

**Version:**

Black oxidised.

**Note:**

Form A

41375-0012

Clamping claws for M12, hex head bolt M12x55 grade 12.9, washer for clamping tool.

41375-0016

Clamping claws for M16, hex head bolt M16x60 grade 12.9, washer for clamping tool.

Form B

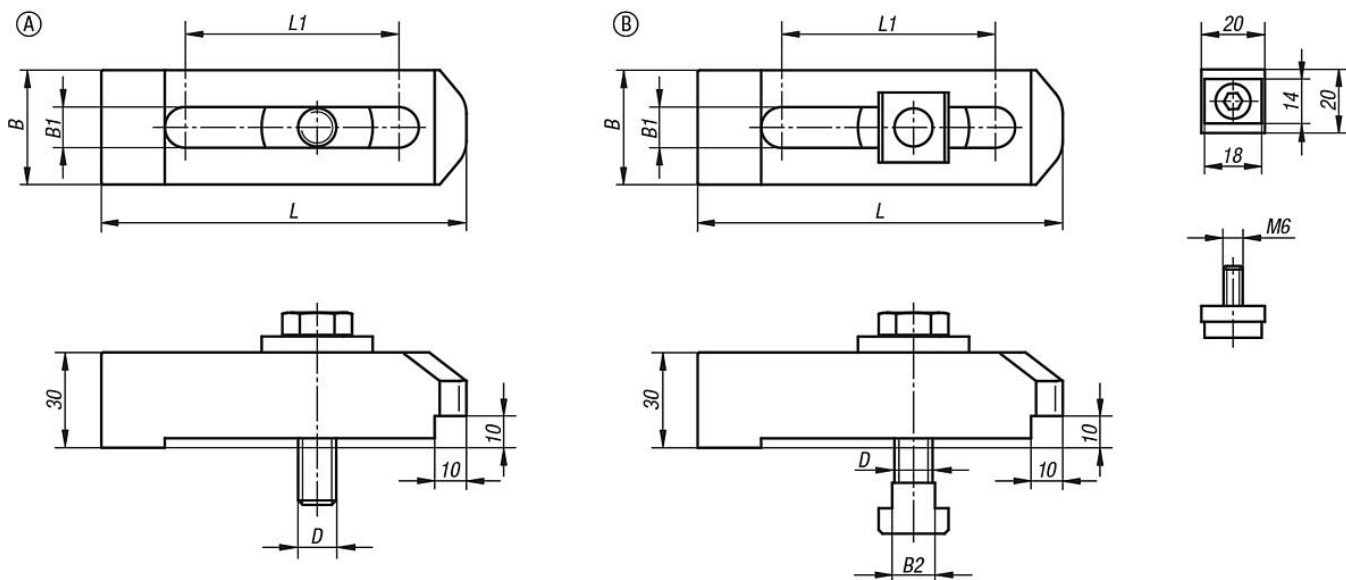
41375-1412

Claw clamp for M12, hex head bolt M12x55 grade 12.9, washer for clamping tool, Nut for T-slots - slot size 14, slot guide key, cap screw M6x12.

41375-1816

Claw clamp for M16, hex head bolt M16x60 grade 12.9, washer for clamping tool, Nut for T-slots - slot size 18, slot guide key, cap screw M6x12.

## Drawings



## Overview of items

## Clamping claw sets

## Overview of items

Order No.	Form	Form definition	B	B1	B2	D	L	L1
41375-0012	A	without slot key	40	12,8	-	M12	115	67,2
41375-0016	A	without slot key	40	16,8	-	M16	115	67,2
41375-1412	B	with t-slot key	40	12,8	13,5	M12	115	67,2
41375-1816	B	with t-slot key	40	16,8	17,5	M16	115	67,2