

## Item description/product images



## Description

## Material:

Steel.

PA 6 plastic.

## Version:

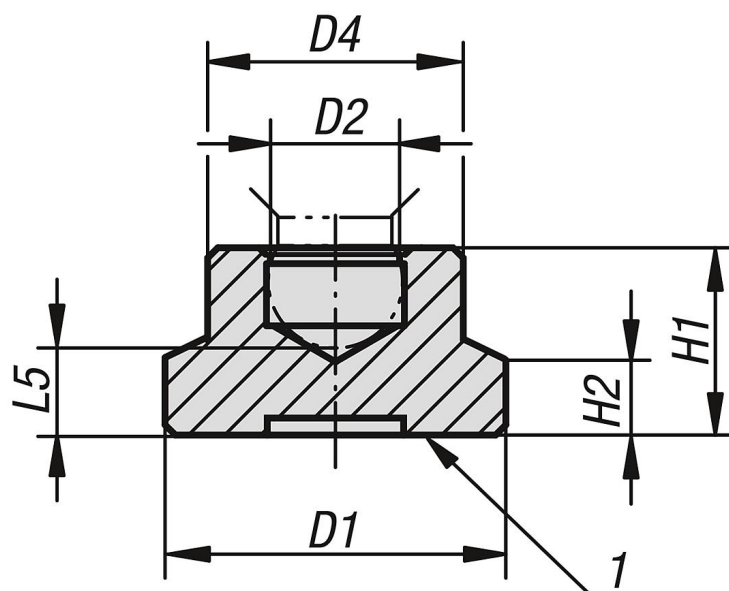
Black oxidised.

Black plastic.

## Drawing reference:

1) thrust face

## Drawings



## Overview of items

| Order No. | Form | Main material | D1 | D2  | D4  | H1  | H2  | L5  | Suitable for grub screws |
|-----------|------|---------------|----|-----|-----|-----|-----|-----|--------------------------|
| 07142-06  | A    | steel         | 15 | 4,4 | 8,6 | 7,6 | 2,5 | 3,8 | M6                       |
| 07142-08  | A    | steel         | 18 | 5,9 | 12  | 9   | 3,5 | 4,4 | M8                       |
| 07142-10  | A    | steel         | 21 | 7,9 | 15  | 11  | 4   | 5   | M10                      |
| 07142-12  | A    | steel         | 25 | 7,9 | 18  | 13  | 5   | 6,9 | M12                      |
| 07142-206 | A    | polyamide     | 15 | 4,4 | 8,6 | 7,6 | 2,5 | 3,8 | M6                       |
| 07142-208 | B    | polyamide     | 18 | 5,9 | 12  | 9   | 3,5 | 4,4 | M8                       |
| 07142-210 | C    | polyamide     | 21 | 7,9 | 15  | 11  | 4   | 5   | M10, M12                 |
| 07142-212 | C    | polyamide     | 25 | 7,9 | 18  | 13  | 5   | 6,9 | M10, M12                 |

