

Item description/product images



Description

Material:

Screw grade 10.9.
Pin brass or POM.
Thread lock nylon.

Version:

Screw black oxidised.

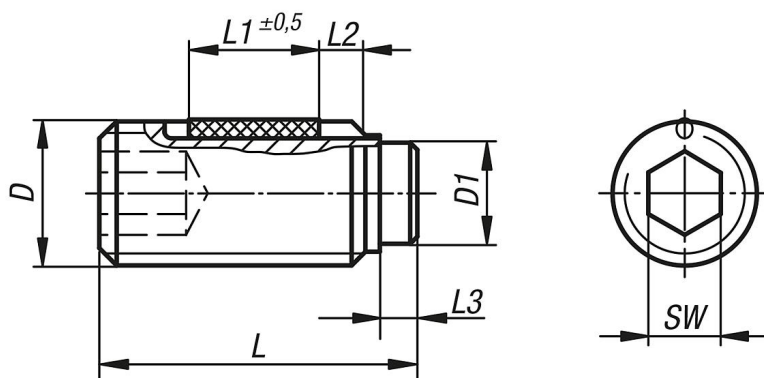
Note:

Thrust screws are ideal for clamping or exerting pressure on threaded spindles, axles, shafts and treated surfaces without marring.

Drawing reference:

L2 = approx. 2x thread pitch

Drawings



Overview of items

Order No.	Component material	D	D1	L	L1	L3	SW
07119-204X	brass	M4	2,5	6,5/10,5/16,5/30,5/40,5	2,5/3,5/5/5/5	1,2	2
07119-205X	brass	M5	3	8,5/12,5/20,5/30,5/40,5	3,5/5/6/6/6	1,3	2,5
07119-206X	brass	M6	4	11,5/17,5/26,5/41,5/51,5/61,5	3,5/7/7/7/7/7	1,9	3
07119-208X	brass	M8	5,5	12/22/32/52/62/82	3,5/8/8/8/8/8	2,4	4
07119-210X	brass	M10	7	14/18/27/37/52/62/82	5/9/9/9/9/9	2,6	5
07119-212X	brass	M12	8,5	18,5/22,5/32,5/42,5/52,5/62,5/82,5	8/10/10/10/10/10	3,3	6

Order No.	Component material	D	D1	L	L1	L3	SW
07119-304X	POM	M4	2	7/9/11/13/17/31/41	2,5/3,5/3,5/5/5/5/5	1,7	2
07119-305X	POM	M5	3	9/11/13/17/21/31/41	3,5/3,5/5/6/6/6/6	1,8	2,5
07119-306X	POM	M6	3,5	11,3/13,3/17,3/21,3/26,3/41,3/51,3/61,3	3,5/5/7/7/7/7/7/7	1,7	3
07119-308X	POM	M8	5	13,6/17,6/21,6/26,6/33,6/51,6/61,6/81,6	5/8/8/8/8/8/8/8	2	4
07119-310X	POM	M10	6,5	17,9/21,9/26,9/33,9/41,9/51,9/61,9/81,9	9/9/9/9/9/9/9/9	2,5	5
07119-312X	POM	M12	8	22,1/27,1/34,1/42,1/52,1/62,1/82,1	10/10/10/10/10/10/10	2,9	6

