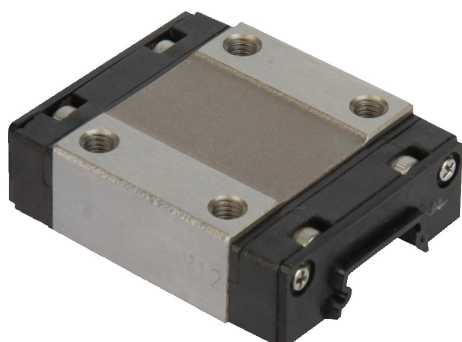


Item description/product images



Description

Material:

Body and balls 1.4034 stainless steel.  
Diverter plastic.

Version:

Bright.

Note:

Standard miniature guide carriage with recirculating ball guide precision N not preloaded (Z0). With double-sided end seal.  
4-point ball recirculating ball system with equal load angles and 2 recirculating ball guides per carriage allowing loads to be accepted uniformly from all sides.

Max. acceleration: 80 m/s<sup>2</sup>.  
Maximum traverse speed 3 m/s.  
Application temperature -20 °C to +80 °C.

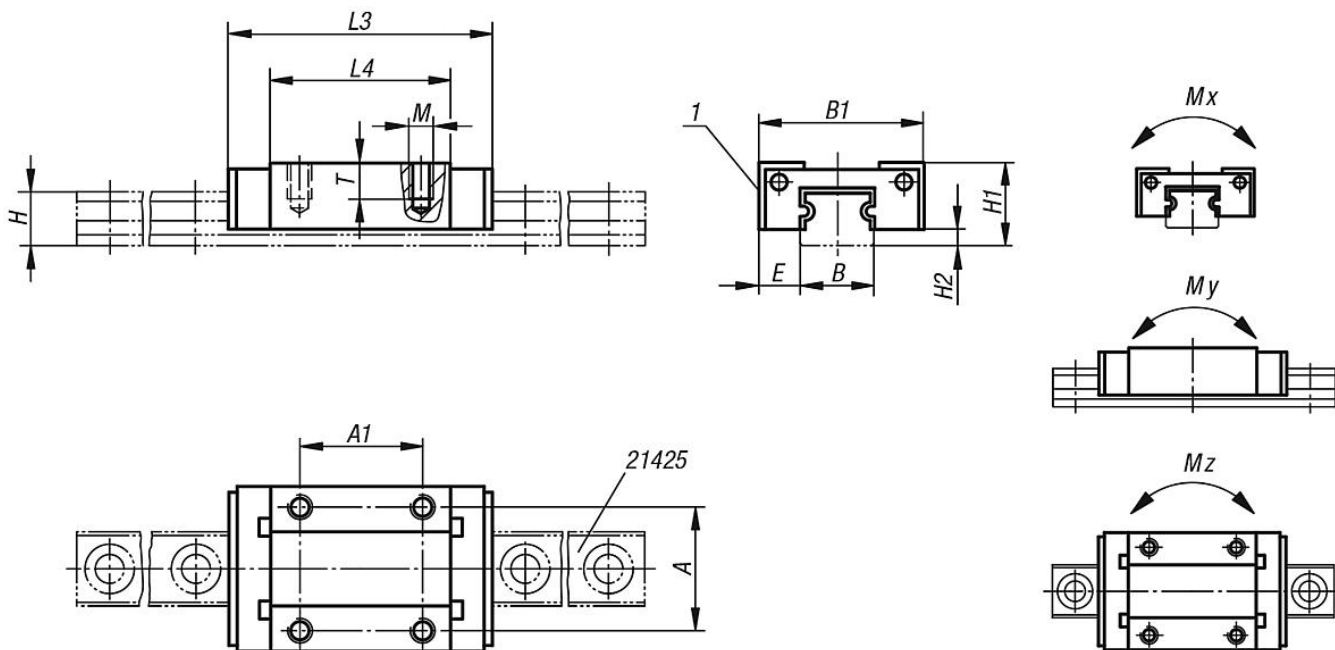
Attention:

Always use the mounting rail supplied, otherwise the ball retainment in the carriage is not guaranteed.

Drawing reference:

1) ground ref. edge

Drawings



Overview of items

Order No.	Version	Size	Mx Nm	My Nm	Mz Nm	Dynamic load rating N	Static load rating N	A	A1	B	B1	E	H	H1	H2	L3	L4	M	T
21420-07102301	standard	7	5,1	2,55	2,55	880	1370	12	8	7	17	5	4,7	8	1,5	23,5	13,5	M2	2,5
21420-09103101	standard	9	10,4	5,1	5,1	1470	2250	15	10	9	20	5,5	5,5	10	2,2	31	20	M3	3
21420-12103501	standard	12	14,7	8,04	8,72	2665	4020	20	15	12	27	7,5	7,5	13	3	35	20,8	M3	3,5

## Overview of items

Order No.	Version	Size	Mx Nm	My Nm	Mz Nm	Dynamic load rating N	Static load rating N	A	A1	B	B1	E	H	H1	H2	L3	L4	M	T
21420-15104301	standard	15	30,2	16,5	17,9	4410	6570	25	20	15	32	8,5	9,5	16	4	43	25,7	M3	4