

## Item description/product images



## Description

## Material:

Stainless steel 1.4301.

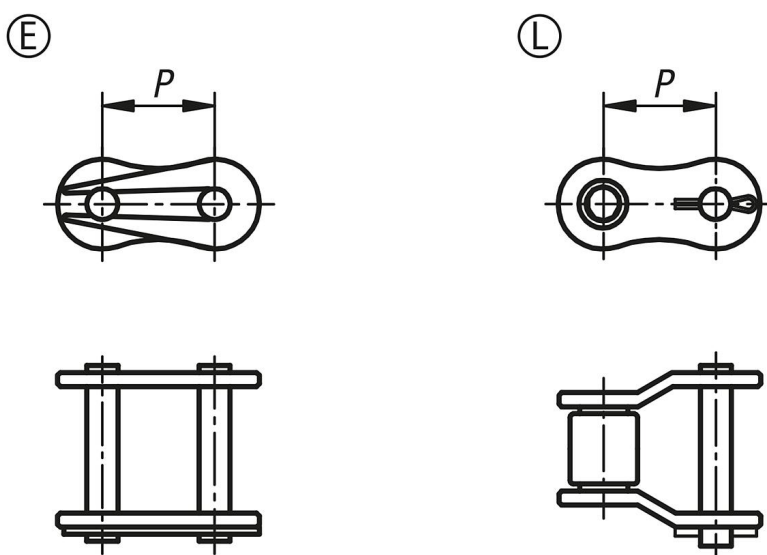
## Note:

Links for single roller chains acc. to DIN ISO 606.

With Form E, the spring clips must be mounted with the closed end pointing in the direction of travel.

Offset links are required to close the chain if there is an odd number of links. Using offset links reduces the power and tensile strength by 20%.

## Drawings



## Overview of items

## Form E connecting links

Order No.	Form	Version 2	ISO No.	P	Version	Suitable for chains
22212-30380732	E	spring clip connection	06 B-1	9,525	LINK	3/8 x 7/32
22212-30120516	E	spring clip connection	08 B-1	12,7	LINK	1/2 x 5/16
22212-30580308	E	spring clip connection	10 B-1	15,875	LINK	5/8 x 3/8
22212-30340716	E	spring clip connection	12 B-1	19,05	LINK	3/4 x 7/16
22212-31001702	E	spring clip connection	16 B-1	25,4	LINK	1 x 17,02 mm
22212-40380732	L	split pin connection	06 B-1	9,525	offset link	3/8 x 7/32
22212-40120516	L	split pin connection	08 B-1	12,7	offset link	1/2 x 5/16
22212-40580308	L	split pin connection	10 B-1	15,875	offset link	5/8 x 3/8
22212-40340716	L	split pin connection	12 B-1	19,05	offset link	3/4 x 7/16
22212-41001702	L	split pin connection	16 B-1	25,4	offset link	1 x 17,02 mm

