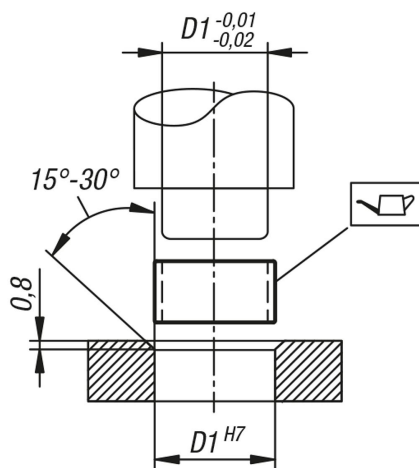


Item description/product images



Description

Material:

Sintered bronze similar to SINT A50.

Version:

Oil impregnated (ca. 25 percent by volume oil).

Hardness min. 25 HB.

Note:

The sintered bronze plain bearings are oil impregnated, self-lubricating, maintenance-free and ready for installation. During rotation the oil is applied to the shaft and absorbed by the bearing through capillary effect when stationary. Additional lubrication is not required under normal operating conditions.

Technical data:

Static load: max. 70 N/mm²

Dynamic load: max. 20 N/mm²

Friction coefficient, dry: 0.05 to 0.10

Sliding speed: max. 6 m/s

Maximum pv value: 2,45 N/mm² * m/s

Temperature range: -20 °C to +100 °C

Assembly:

Press in plain bearings, do not hammer in. The use of a suitable press mandrel is advisable. Without a mandrel there is a risk that the bearing may deform during installation. After press-fitting into a housing with bore H7 the bore D has a H7 tolerance.

Tolerances:

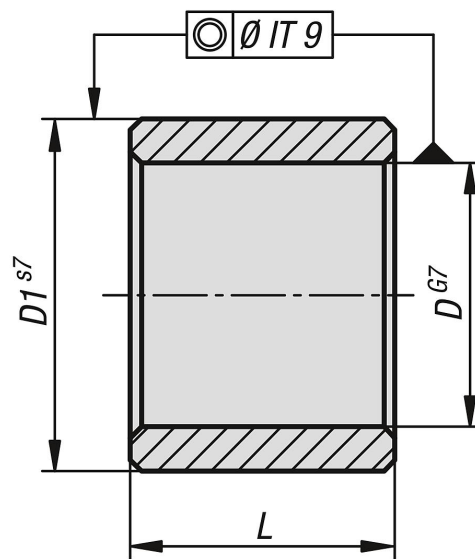
Housing:

Recommended tolerance H7.

Shaft:

Recommended tolerance h6 to h9. Hardened or non-hardened ground shafts can be used (for secondary applications drawn shafts can also be used).

Drawings



Overview of items

| Order No. | D | D1 | L |
|----------------|----|----|----|
| 23760-00300604 | 3 | 6 | 4 |
| 23760-00300606 | 3 | 6 | 6 |
| 23760-00400704 | 4 | 7 | 4 |
| 23760-00400804 | 4 | 8 | 4 |
| 23760-00500808 | 5 | 8 | 8 |
| 23760-00500810 | 5 | 8 | 10 |
| 23760-00500816 | 5 | 8 | 16 |
| 23760-00600906 | 6 | 9 | 6 |
| 23760-00600910 | 6 | 9 | 10 |
| 23760-00600912 | 6 | 9 | 12 |
| 23760-00600916 | 6 | 9 | 16 |
| 23760-00601006 | 6 | 10 | 6 |
| 23760-00601010 | 6 | 10 | 10 |
| 23760-00601012 | 6 | 10 | 12 |
| 23760-00601016 | 6 | 10 | 16 |
| 23760-00601206 | 6 | 12 | 6 |
| 23760-00801108 | 8 | 11 | 8 |
| 23760-00801112 | 8 | 11 | 12 |
| 23760-00801208 | 8 | 12 | 8 |
| 23760-00801212 | 8 | 12 | 12 |
| 23760-00801220 | 8 | 12 | 20 |
| 23760-01001310 | 10 | 13 | 10 |
| 23760-01001416 | 10 | 14 | 16 |
| 23760-01001610 | 10 | 16 | 10 |
| 23760-01201512 | 12 | 15 | 12 |
| 23760-01201520 | 12 | 15 | 20 |
| 23760-01201612 | 12 | 16 | 12 |
| 23760-01201812 | 12 | 18 | 12 |
| 23760-01201816 | 12 | 18 | 16 |
| 23760-01201820 | 12 | 18 | 20 |
| 23760-01401822 | 14 | 18 | 22 |
| 23760-01402014 | 14 | 20 | 14 |
| 23760-01402018 | 14 | 20 | 18 |
| 23760-01501920 | 15 | 19 | 20 |
| 23760-01502116 | 15 | 21 | 16 |
| 23760-01602016 | 16 | 20 | 16 |
| 23760-01602020 | 16 | 20 | 20 |
| 23760-01602025 | 16 | 20 | 25 |

Overview of items

| Order No. | D | D1 | L |
|----------------|----|----|----|
| 23760-01602032 | 16 | 20 | 32 |
| 23760-01602216 | 16 | 22 | 16 |
| 23760-01602220 | 16 | 22 | 20 |
| 23760-01602232 | 16 | 22 | 32 |
| 23760-01802218 | 18 | 22 | 18 |
| 23760-01802418 | 18 | 24 | 18 |
| 23760-01802428 | 18 | 24 | 28 |
| 23760-01802518 | 18 | 25 | 18 |
| 23760-02002432 | 20 | 24 | 32 |
| 23760-02002516 | 20 | 25 | 16 |
| 23760-02002520 | 20 | 25 | 20 |
| 23760-02002525 | 20 | 25 | 25 |
| 23760-02002532 | 20 | 25 | 32 |
| 23760-02002620 | 20 | 26 | 20 |
| 23760-02002625 | 20 | 26 | 25 |
| 23760-02002632 | 20 | 26 | 32 |
| 23760-02002825 | 20 | 28 | 25 |
| 23760-02202822 | 22 | 28 | 22 |
| 23760-02503020 | 25 | 30 | 20 |
| 23760-02503025 | 25 | 30 | 25 |
| 23760-02503032 | 25 | 30 | 32 |
| 23760-02503040 | 25 | 30 | 40 |
| 23760-02503220 | 25 | 32 | 20 |
| 23760-02503225 | 25 | 32 | 25 |
| 23760-02503232 | 25 | 32 | 32 |
| 23760-02503240 | 25 | 32 | 40 |
| 23760-02803628 | 28 | 36 | 28 |
| 23760-03003824 | 30 | 38 | 24 |
| 23760-03003830 | 30 | 38 | 30 |
| 23760-03003838 | 30 | 38 | 38 |
| 23760-03204032 | 32 | 40 | 32 |
| 23760-03504428 | 35 | 44 | 28 |
| 23760-03504435 | 35 | 44 | 35 |
| 23760-03504535 | 35 | 45 | 35 |
| 23760-03604536 | 36 | 45 | 36 |
| 23760-04004632 | 40 | 46 | 32 |
| 23760-04004640 | 40 | 46 | 40 |
| 23760-04005025 | 40 | 50 | 25 |
| 23760-04005040 | 40 | 50 | 40 |
| 23760-04505545 | 45 | 55 | 45 |
| 23760-04505645 | 45 | 56 | 45 |
| 23760-05005632 | 50 | 56 | 32 |
| 23760-05005650 | 50 | 56 | 50 |
| 23760-05006032 | 50 | 60 | 32 |
| 23760-05006040 | 50 | 60 | 40 |
| 23760-05006050 | 50 | 60 | 50 |