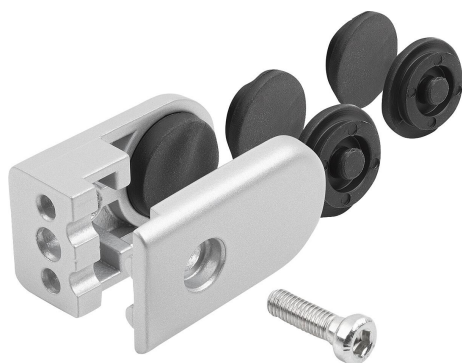


Item description/product images



Description

Material:

Holder die-cast zinc.
Screw steel.
Spacers rubber.

Version:

Holder alu-tone powder coated.
Screw electro zinc-plated.
Spacers black.

Note:

Glass pane holders for fixating glass panes and other sheet elements.

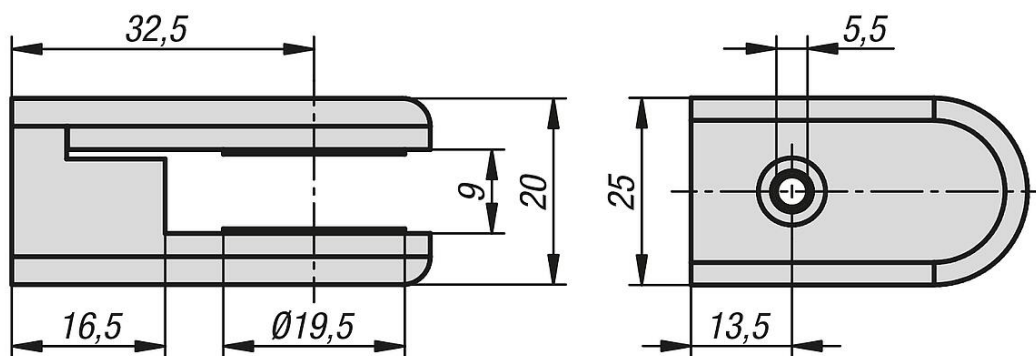
The glass pane holder can be attached to flat surfaces or aluminium profiles using a slot nut. Surface elements from 2 mm to 9 mm can be firmly secured using the enclosed rubber spacers.

When cutting the sheet elements to size, a gap of at least 16.5 mm must be taken into account.

Supplied with:

1 Glass pane holder
1 M5x16 screw
5 Spacers for 2 mm to 9 mm thick panes

Drawings



Overview of items

Order No.	Clamping range mm
10350-15-0209	2-9