

Item description/product images

**Description****Material:**

Carbon steel.

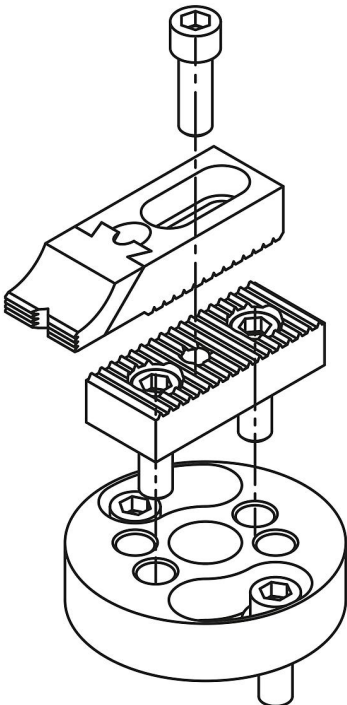
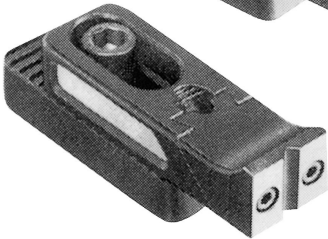
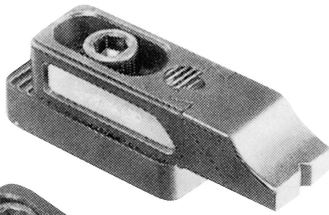
Version:

Black oxidised.

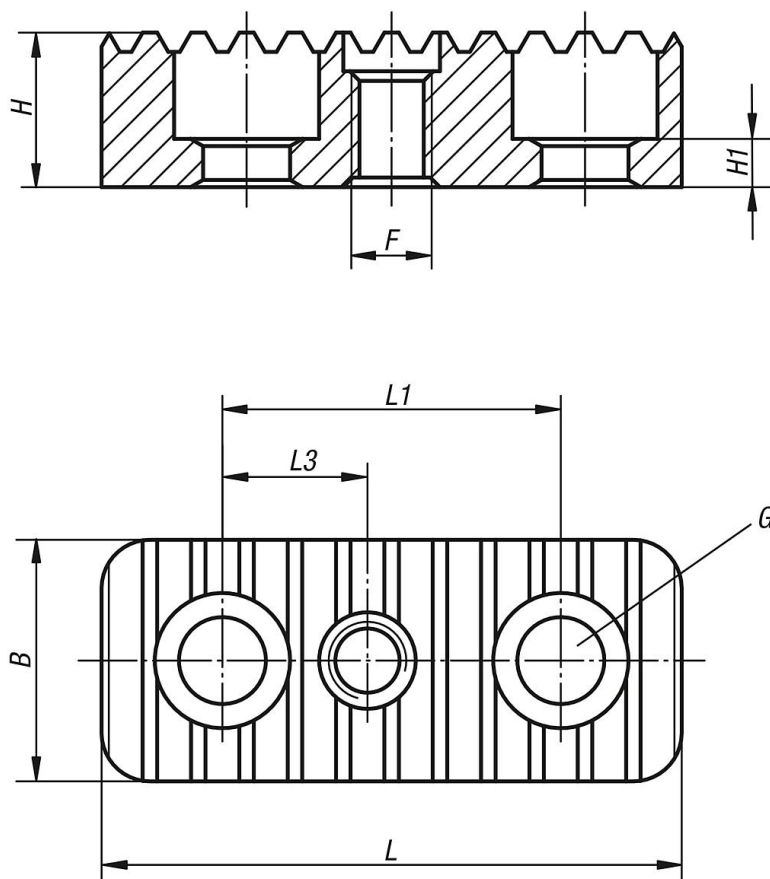
Note:

Rack plates are used to position stepped and standard toe clamps.

The holes (G) for DIN 912 socket head screws is used to fasten the rack plate to suitable base elements. The tapped hole (F) is used to secure the toe clamps.



Drawings



Overview of items

Order No.	B	F	G hole for DIN 912 cap screw	H	H1	L	L1	L3
04470-05-94008116	25	M8	M8	16	7	50	25	12,5
04470-05-94008120	25	M8	M8	20	9	50	25	12,5
04470-05-94008125	25	M8	M8	25	13	50	25	12,5
04470-05-94008132	25	M8	M8	32	20	50	25	12,5
04470-05-94008140	25	M8	M8	40	28	50	25	12,5
04470-05-94012020	35	M12	M12	20	5	85	50	20
04470-05-94012025	35	M12	M12	25	12	85	50	20
04470-05-94012032	35	M12	M12	32	12	85	50	20
04470-05-94012040	35	M12	M12	40	12	85	50	20
04470-05-94012050	35	M12	M12	50	12	85	50	20
04470-05-94016025	40	M16	M16	25	6	90	50	25
04470-05-94016032	40	M16	M16	32	13	90	50	25
04470-05-94016040	40	M16	M16	40	15	90	50	25
04470-05-94016050	40	M16	M16	50	15	90	50	25
04470-05-94016063	40	M16	M16	63	15	90	50	25