

Item description/product images



Description

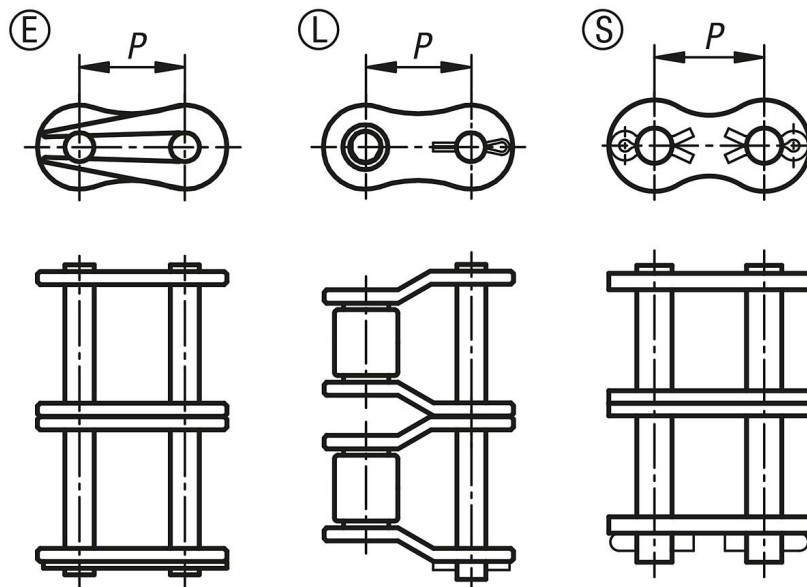
**Material:**  
Steel.

**Note:**  
Connecting links for DIN ISO 606 duplex roller chains.

By Form E, the spring clip must be mounted with the closed end facing the direction of movement.

Offset links are required to close the chain if there is an odd number of links. Using offset links reduces the power and tensile strength by 20%.

Drawings



Overview of items

Order No.	Form	Version 2	Version	ISO No.	P	Suitable for chains
22201-30800030	E	spring clip connection	LINK	05 B-2	8	8,0 x 3,0mm
22201-30380732	E	spring clip connection	LINK	06 B-2	9,525	3/8 x 7/32
22201-30120516	E	spring clip connection	LINK	08 B-2	12,7	1/2 x 5/16
22201-30580308	E	spring clip connection	LINK	10 B-2	15,875	5/8 x 3/8
22201-30340716	E	spring clip connection	LINK	12 B-2	19,05	3/4 x 7/16
22201-31001702	E	spring clip connection	LINK	16 B-2	25,4	1 x 17,02 mm
22201-40800030	L	split pin connection	offset link	05 B-2	8	8,0 x 3,0mm
22201-40380732	L	split pin connection	offset link	06 B-2	9,525	3/8 x 7/32
22201-40120516	L	split pin connection	offset link	08 B-2	12,7	1/2 x 5/16
22201-40580308	L	split pin connection	offset link	10 B-2	15,875	5/8 x 3/8
22201-40340716	L	split pin connection	offset link	12 B-2	19,05	3/4 x 7/16
22201-41001702	L	split pin connection	offset link	16 B-2	25,4	1 x 17,02 mm
22201-41140340	L	split pin connection	offset link	20 B-2	31,75	1 1/4 x 3/4
22201-41121000	L	split pin connection	offset link	24 B-2	38,1	1 1/2 x 1
22201-51140340	S	split pin connection	Link with cotter pin	20 B-2	31,75	1 1/4 x 3/4
22201-51121000	S	split pin connection	Link with cotter pin	24 B-2	38,1	1 1/2 x 1

