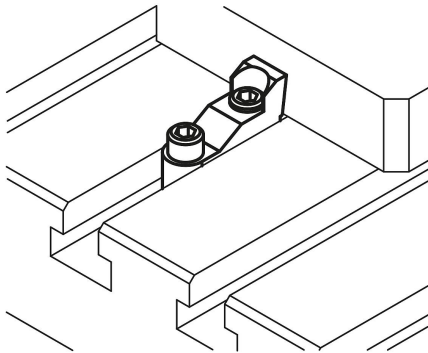
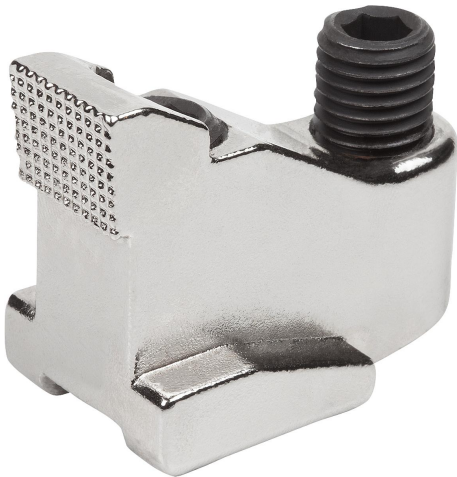


## Item description/product images

**Description****Material:**

Body steel 1.7225.  
Screws steel grade 8.8.

**Version:**

Body hardened and nickel-plated.  
Screws black oxidised.

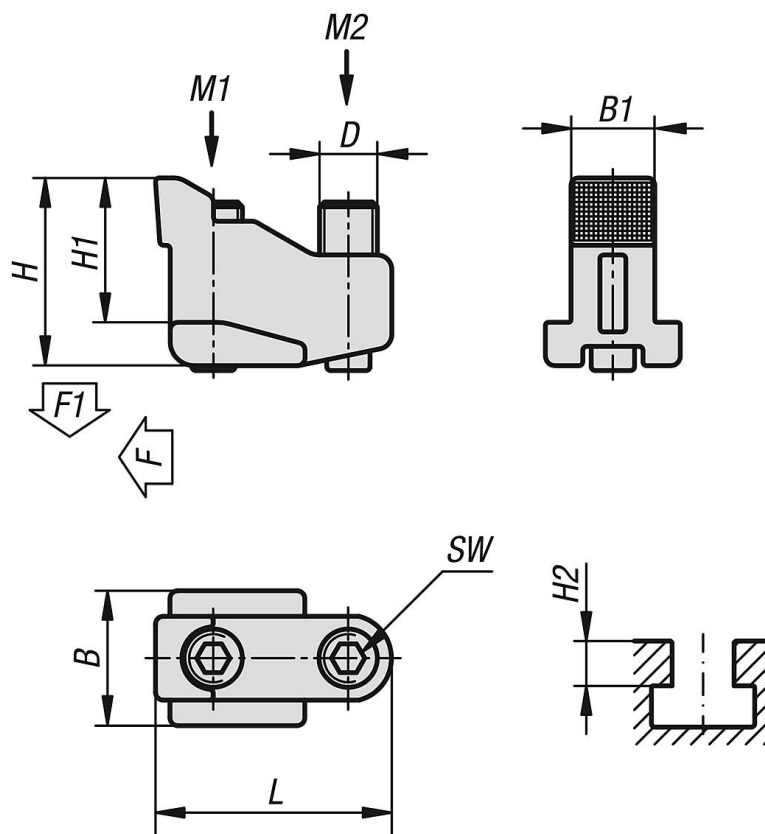
**Note:**

Particularly low workpieces can be clamped using the T-slot clamps. The positive down force pushes the workpiece down on the machine table.

**Application:**

1. Slide the clamp in the machine table T-slot up to the workpiece.
2. Tighten the fastening screws with the appropriate torque.
3. Tighten the clamping screw to clamp the workpiece in place.

Drawings



Overview of items

Order No.	Slot width	B	D	H	H1	H2	L	SW	B1	F kN	F1 kN	Tightening torque M1 Nm	Tightening torque M2 Nm
04469-1014	14	22	M10	31	24	14-19	40	5	13,6	7	3,5	18	9
04469-1218	18	28	M12	39	30	18-24	49	6	17,4	10	5	32	15
04469-1622	22	35	M16	50	37	22-30	63	8	21,5	16	8	75	35