

Item description/product images

**Description****Material:**

Investment cast 1.4308 stainless steel.
ISO 4762 cap screw and ISO 4032 hex nut, stainless steel.
From $\varnothing 30$ mm ISO 4017 hex head bolt, stainless steel.

Version:

Electropolished.

Note:

The tube clamps with diameters 30 and 40 mm have a silicone sleeve that protects the thread of the hex head screw from contamination and damage.

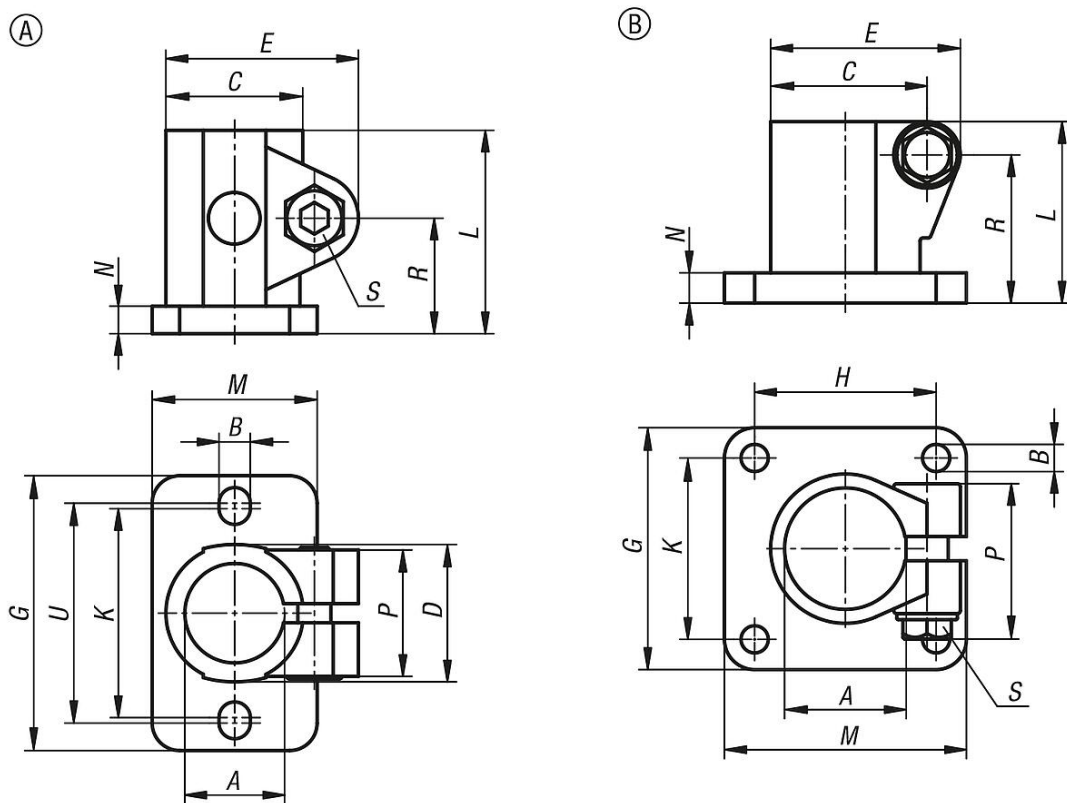
On request:

Clamping levers for tightening.

Accessory:

- Round and square tubes 29050

Drawings



Overview of items

Order No.	Form	A	B	C	D	E	G	H	K	L	M	N	P	R	S	U
29010-112	A	12,1	5,7	27	25	35	50	-	38	37	30	5	23	21	M6x18	40
29010-114	A	14,1	5,7	27	25	35	50	-	38	37	30	5	23	21	M6x18	40
29010-116	A	16,1	5,7	27	25	35	50	-	38	37	30	5	23	21	M6x18	40
29010-118	A	18,1	5,7	27	25	35	50	-	38	37	30	5	23	21	M6x18	40
29010-120	A	20,1	5,7	27	25	35	50	-	38	37	30	5	23	21	M6x18	40
29010-130	B	30,1	7	39	37,4	48	60	40	40	50	60	7	45.5	41	M8x30	-
29010-140	B	40,17	9	51,7	49,4	63	80	60	60	60	80	10	52	48,7	M10x35	-