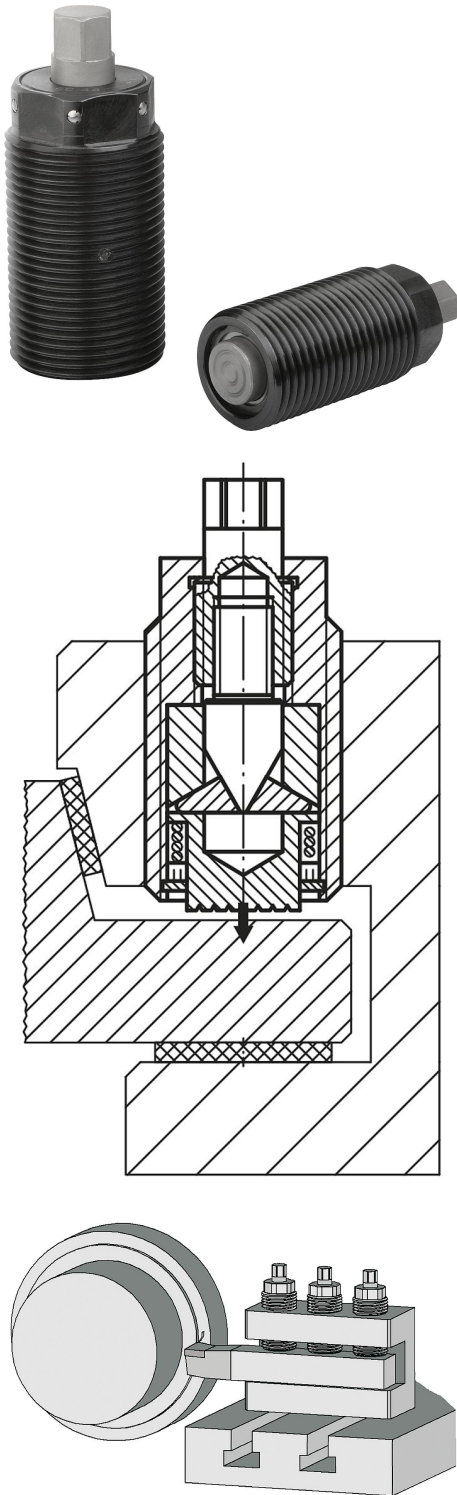


Item description/product images

**Description****Material:**

Carbon steel.

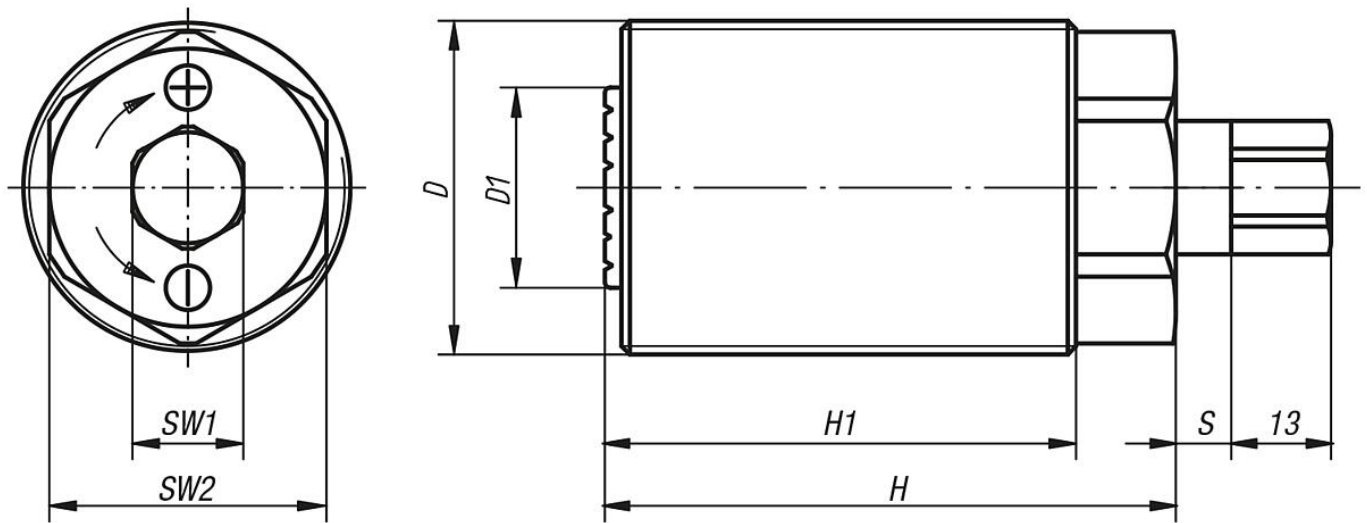
Version:

Black oxidised.

Note:

These power clamping screws are fitted with a patented wedge mechanism. This system allows the greatest clamping forces to be achieved at low torques with a simple manual operation. The wedge mechanism is self-limiting in every clamping position. A longer path can be quickly traversed via the external thread of the screw before the wedge mechanism (travel up to 2.2 mm) is used for clamping. Tightening screws are used for many purposes, primarily in presses, punches, production machines, fixtures and equipment production.

Drawings



Overview of items

Order No.	D	D1	H	H1	S	SW1	SW2	max. clamping travel	Nominal clamping force kN	max. static load kN	Max. tightening torque on SW1 Nm
04752-36	M36x3	19	73	62	5	13	30	1,5	40	80	45
04752-48	M48X3	28	90	75	7,5	17	41	2,2	80	160	90