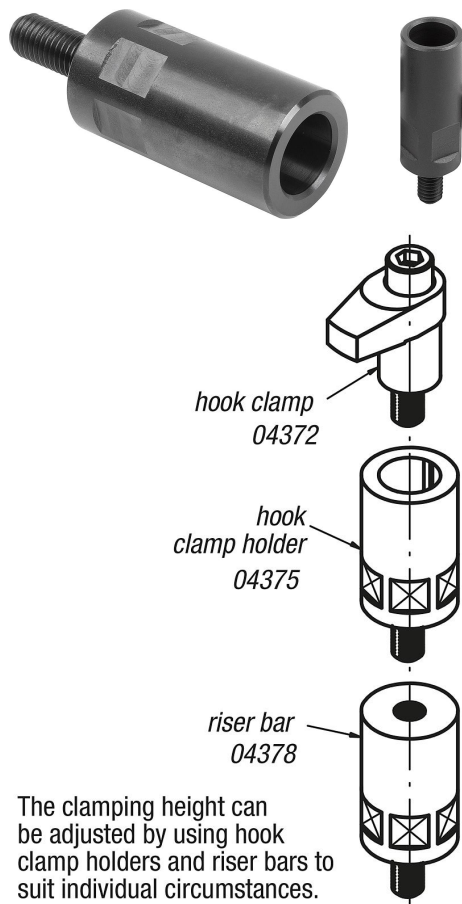


Item description/product images



The clamping height can be adjusted by using hook clamp holders and riser bars to suit individual circumstances.

Description

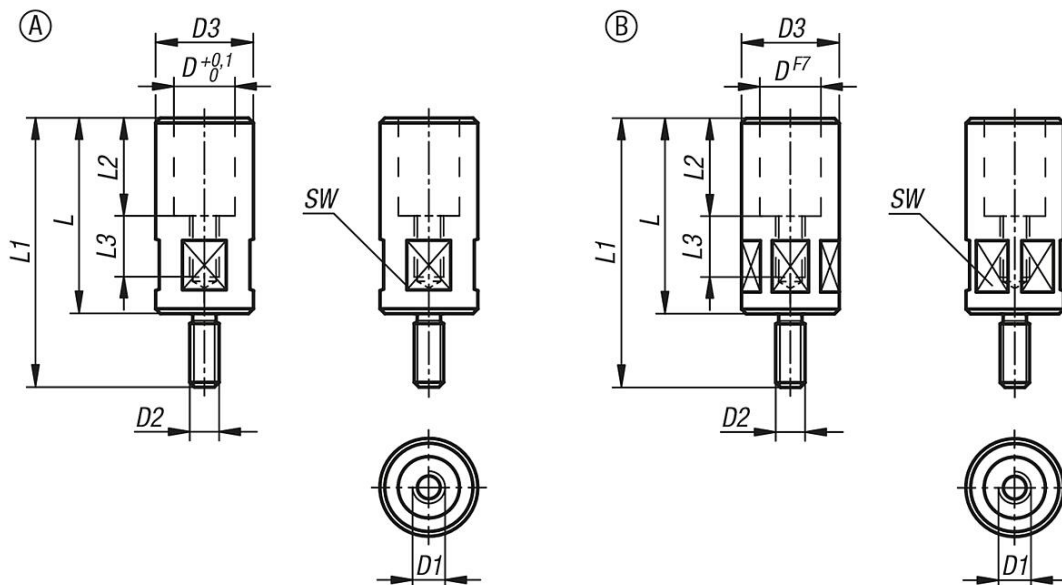
Material:
Carbon steel.

Version:
Black oxidised.

Note:
Hook clamp holders are for holding and raising hook clamps.

Accessory:
Hook clamps 04372.
Extensions for jack screws 04378.

Drawings



Overview of items

Order No.	Form	Form definition	D	D1	D2	D3	L	L1	L2	L3	SW	Tightening torque max. Nm
04375-04035	A	with square	10	M4	M6	14	35	46	16	13	12	2,7

Overview of items

Order No.	Form	Form definition	D	D1	D2	D3	L	L1	L2	L3	SW	Tightening torque max. Nm
04375-06040	A	with square	12	M6	M8	16	40	54	19	14	13	7
04375-08055	B	with hexagon	18	M8	M8	24	55	74	25	20	22	29,4
04375-10063	B	with hexagon	20	M10	M12	32	63	93	30	21	30	39,2
04375-10080	B	with hexagon	20	M10	M12	32	80	110	30	23	30	39,2
04375-12080	B	with hexagon	25	M12	M12	40	80	110	40	25	36	49
04375-12100	B	with hexagon	25	M12	M12	40	100	130	40	28	36	49
04375-16080	B	with hexagon	32	M16	M16	50	80	110	40	25	46	78,4
04375-16100	B	with hexagon	32	M16	M16	50	100	130	40	28	46	78,4