

Item description/product images



Description

Material:

Body carbon steel.

Ball, ball-bearing steel 1.3505.

Version:

Body tempered.

Ball hardened (50 - 55 HRC).

Note:

Self-aligning pads serve as stops, supports and thrust pads in fixture construction. They can also be installed in existing clamping devices, e.g. arness clamps.

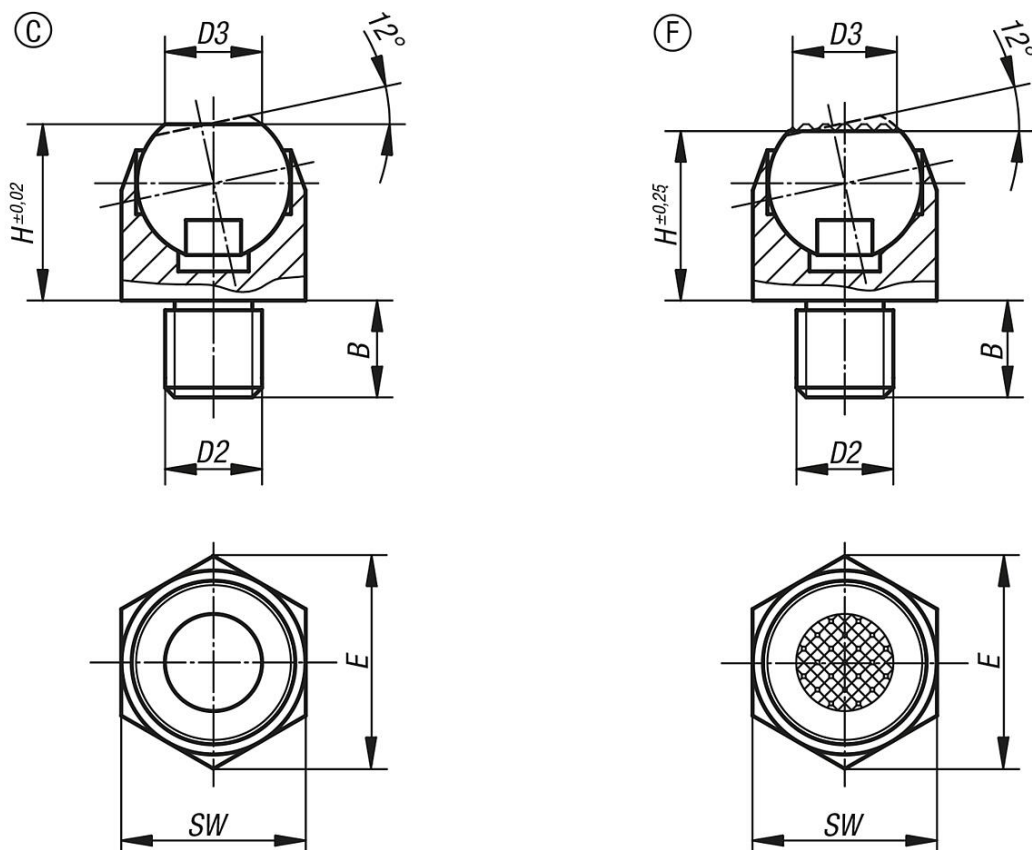
Ball is secured against rotation.

Drawing reference:

Form C: external thread, smooth flattened ball

Form F: external thread, serrated flattened ball

Drawings



Overview of items

| Order No. Form C | Order No. Form F | B | D2 | D3 | H | E | SW | Ball-Ø | Load rating max. kN (static load only) |
|------------------|------------------|---|----|-----|----|------|----|--------|--|
| 02080-106 | 02080-306 | 7 | M6 | 6,7 | 13 | 14,5 | 13 | 10 | 10 |
| 02080-108 | 02080-308 | 8 | M8 | 6,7 | 13 | 14,5 | 13 | 10 | 10 |

Overview of items

| Order No. Form C | Order No. Form F | B | D2 | D3 | H | E | SW | Ball-Ø | Load rating max. kN (static load only) |
|------------------|------------------|----|-----|----|----|------|----|--------|--|
| 02080-110 | 02080-310 | 10 | M10 | 10 | 18 | 21,9 | 19 | 16 | 25 |
| 02080-112 | 02080-312 | 12 | M12 | 10 | 18 | 21,9 | 19 | 16 | 25 |
| 02080-116 | 02080-316 | 16 | M16 | 20 | 27 | 33 | 30 | 24 | 90 |
| 02080-120 | 02080-320 | 20 | M20 | 20 | 27 | 33 | 30 | 24 | 90 |