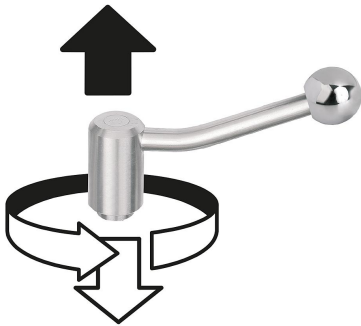


Item description/product images



lift to
disengage



Description

Material:

Steel parts stainless steel 1.4305.

Ball knob black plastic.

Version:

Stainless steel parts bright.

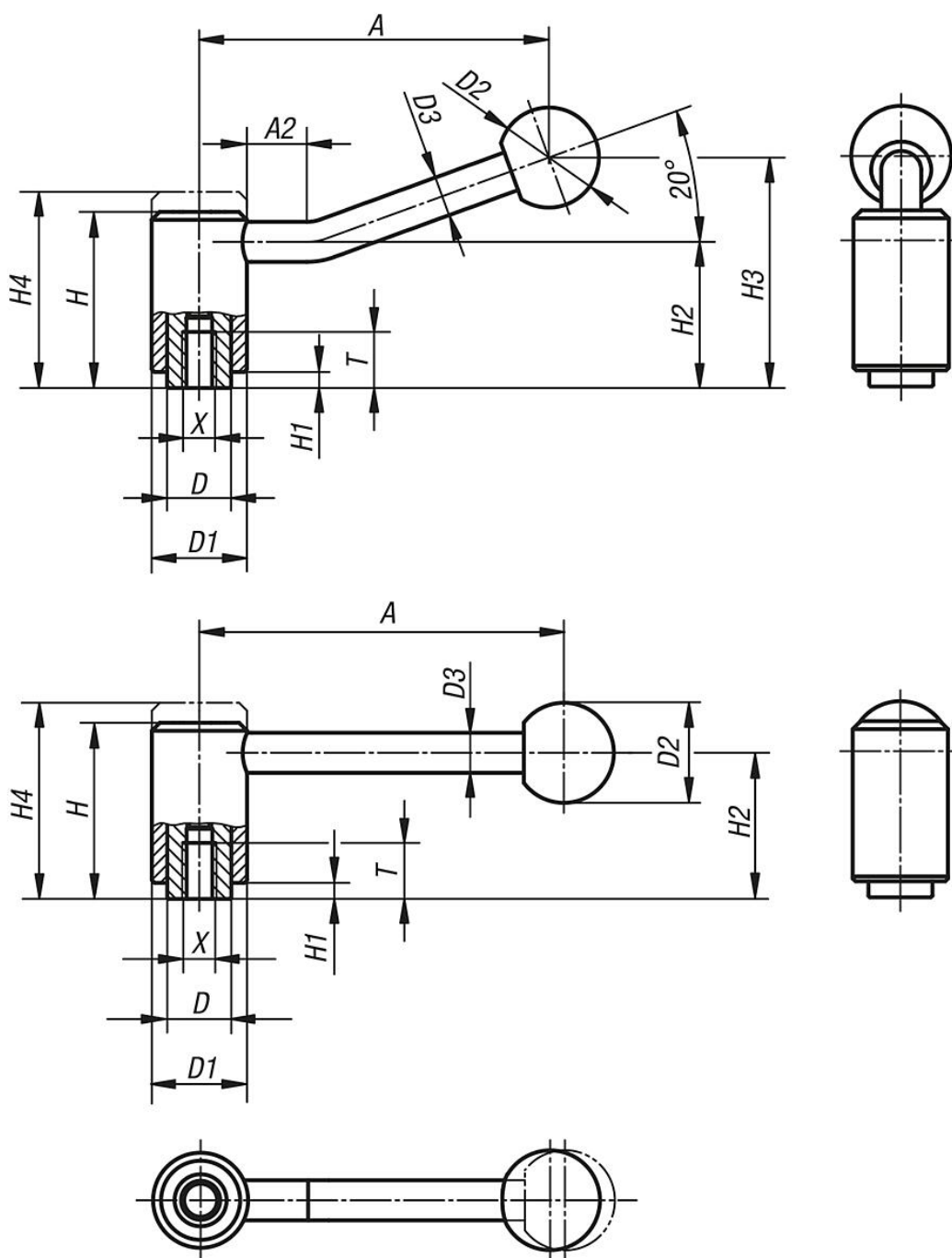
Ball knob polished.

On request:

Other threads and special versions.

Dimensions "H1" and "A" available in other lengths at extra charge.

Drawings



Overview of items

Order No.	Form	X	T	A	A2	D	D1	D2	D3	H	H1	H2	H3	H4	No. of teeth
06371-1082	0°	M8	14	92	-	16	24	25	10	44,5	4,5	37	-	49,5	22
06371-1102	0°	M10	14	92	-	16	24	25	10	44,5	4,5	37	-	49,5	22
06371-2102	0°	M10	17	111	-	19	28	32	12	51,5	5,5	42	-	57,5	24
06371-2122	0°	M12	17	111	-	19	28	32	12	51,5	5,5	42	-	57,5	24
06371-3122	0°	M12	23	134,5	-	23	33	32	13	58	6	47	-	65	26
06371-3162	0°	M16	23	134,5	-	23	33	32	13	58	6	47	-	65	26
06371-4162	0°	M16	27	134	-	30	41	32	13	68,5	7,5	56,5	-	76,5	36
06371-4202	0°	M20	27	134	-	30	41	32	13	68,5	7,5	56,5	-	76,5	36
06371-1081	20°	M8	14	88	15	16	24	25	10	44,5	4,5	37	58,5	49,5	22
06371-1101	20°	M10	14	88	15	16	24	25	10	44,5	4,5	37	58,5	49,5	22
06371-2101	20°	M10	17	106	15	19	28	32	12	51,5	5,5	42	68,5	57,5	24

Overview of items

Order No.	Form	X	T	A	A2	D	D1	D2	D3	H	H1	H2	H3	H4	No. of teeth
06371-2121	20°	M12	17	106	15	19	28	32	12	51,5	5,5	42	68,5	57,5	24
06371-3121	20°	M12	23	128,5	15	23	33	32	13	58	6	47	81	65	26
06371-3161	20°	M16	23	128,5	15	23	33	32	13	58	6	47	81	65	26
06371-4161	20°	M16	27	128,5	15	30	41	32	13	68,5	7,5	56,5	89,5	76,5	36
06371-4201	20°	M20	27	128,5	15	30	41	32	13	68,5	7,5	56,5	89,5	76,5	36