

Item description/product images



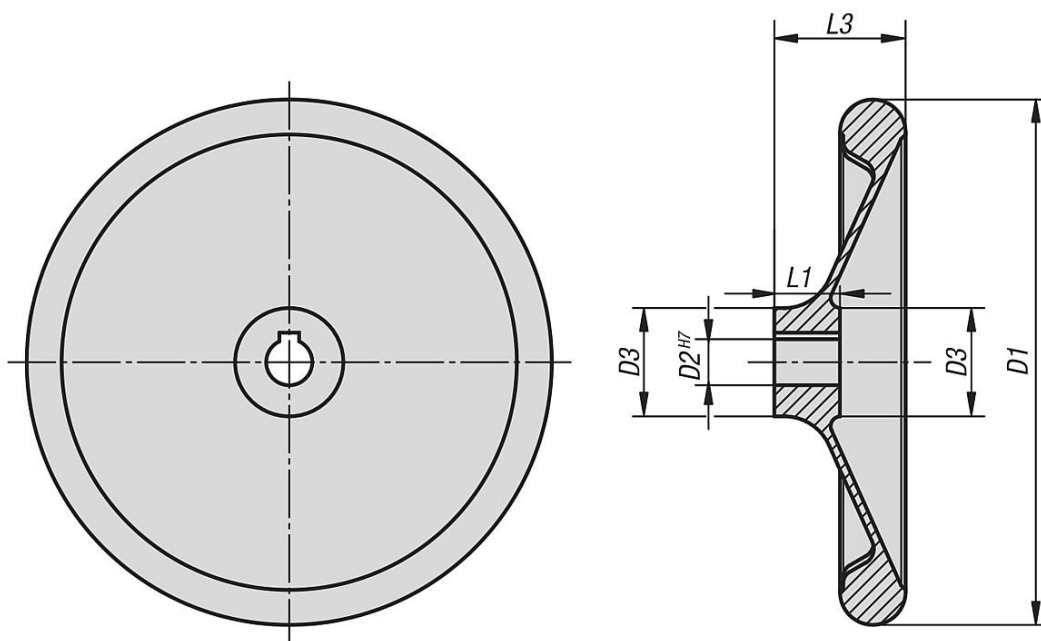
**Description**

**Material:**  
Handwheel aluminium.

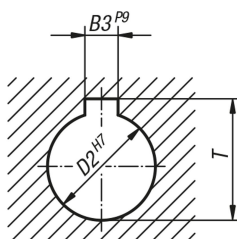
**Version:**  
Wheel rim turned and polished.

**On request:**  
Hubs with square socket or powder-coated handwheels.

Drawings



DIN 6885-1



Overview of items

Order No.	Version 1	D1	D2	D3	L1	L3	B3	T
06279-0080X10	reamed hole	80	10H7	25	16	30	-	-
06279-0080X12	reamed hole	80	12H7	25	16	30	-	-
06279-0100X10	reamed hole	100	10H7	28	17	31	-	-
06279-0100X12	reamed hole	100	12H7	28	17	31	-	-
06279-0120X12	reamed hole	120	12H7	27	18	30	-	-
06279-0120X14	reamed hole	120	14H7	27	18	30	-	-
06279-0160X14	reamed hole	160	14H7	34	20	40	-	-
06279-0160X16	reamed hole	160	16H7	34	20	40	-	-
06279-0200X18	reamed hole	200	18H7	40	24	44	-	-

## Overview of items

Order No.	Version 1	D1	D2	D3	L1	L3	B3	T
06279-0200X22	reamed hole	200	22H7	40	24	44	-	-
06279-0250X22	reamed hole	250	22H7	49	28	61	-	-
06279-0250X26	reamed hole	250	26H7	49	28	61	-	-
06279-0280X24	reamed hole	280	24H7	51	30	38	-	-
06279-0280X28	reamed hole	280	28H7	51	30	38	-	-
06279-0360X28	reamed hole	360	28H7	63	35	73	-	-
06279-0360X32	reamed hole	360	32H7	63	35	73	-	-
06279-1080X10	reamed hole with slot	80	10H7	25	16	30	3	11,4
06279-1080X12	reamed hole with slot	80	12H7	25	16	30	4	13,8
06279-1100X10	reamed hole with slot	100	10H7	28	17	31	3	11,4
06279-1100X12	reamed hole with slot	100	12H7	28	17	31	4	13,8
06279-1120X12	reamed hole with slot	120	12H7	27	18	30	4	13,8
06279-1120X14	reamed hole with slot	120	14H7	27	18	30	5	16,3
06279-1160X14	reamed hole with slot	160	14H7	34	20	40	5	16,3
06279-1160X16	reamed hole with slot	160	16H7	34	20	40	5	18,3
06279-1200X18	reamed hole with slot	200	18H7	40	24	44	6	20,8
06279-1200X22	reamed hole with slot	200	22H7	40	24	44	6	24,8
06279-1250X22	reamed hole with slot	250	22H7	49	28	61	6	24,8
06279-1250X26	reamed hole with slot	250	26H7	49	28	61	8	29,3
06279-1280X24	reamed hole with slot	280	24H7	51	30	38	8	27,3
06279-1280X28	reamed hole with slot	280	28H7	51	30	38	8	31,3
06279-1360X28	reamed hole with slot	360	28H7	63	35	73	8	31,3
06279-1360X32	reamed hole with slot	360	32H7	63	35	73	10	35,3