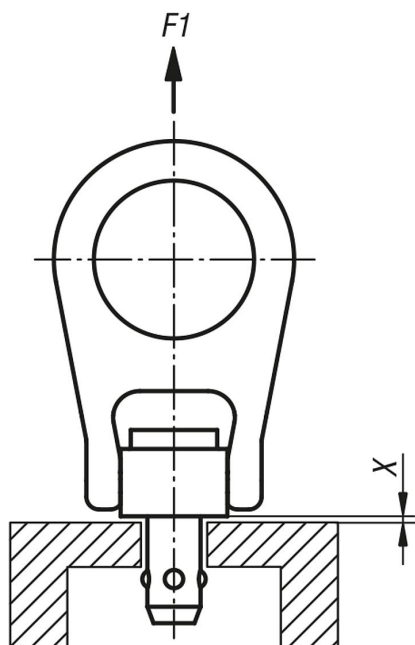


## Item description/product images



## Description

**Material:**

Pin and shackle stainless steel 1.4542.

Push button stainless steel 1.4305.

Ball stainless steel 1.4125.

Spring stainless steel 1.4310.

**Version:**

Pin and balls hardened and passivated

**Note:**

Quick and easy lifting device with swing shackle and safety bar against unintended release. The balls are unlocked by pressing the push button. When the push button is released the balls are securely locked.

Corrosion and weather resistant.

High tensile, hardened pin for extreme loads with the high wear resistance.

Temperature range max. 250 °C.

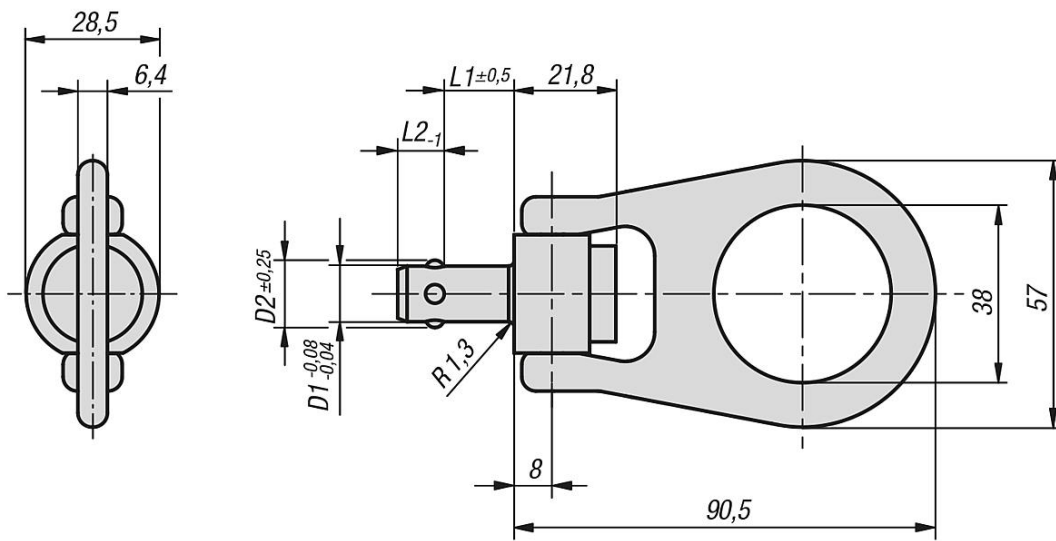
CE certified.

Values X max, and F1 with 5x safety factor.

**Accessory:**

Receiver bushes 07784.

Drawings



Overview of items

Order No.	D1	D2	L1	L2	X max.	F1 kN	Receiving hole
07782-2810X50	10	12	50	9	1,5	4,4	10 +0,1