

Item description/product images



Description

Material:

Body carbon steel. Bracket steel.

Version:

Black oxidised. Bracket hardened.

Note:

Every hoist ring undergoes an additional visual inspection after load testing (6x safety factor).

A safety data sheet for installation is included with every hoist ring.

Do not use spacer washers between the bush flange and support beam.

Tighten the screws to the stated torque and check and re-tighten regularly. After installation check if the ring swivels freely in both directions.

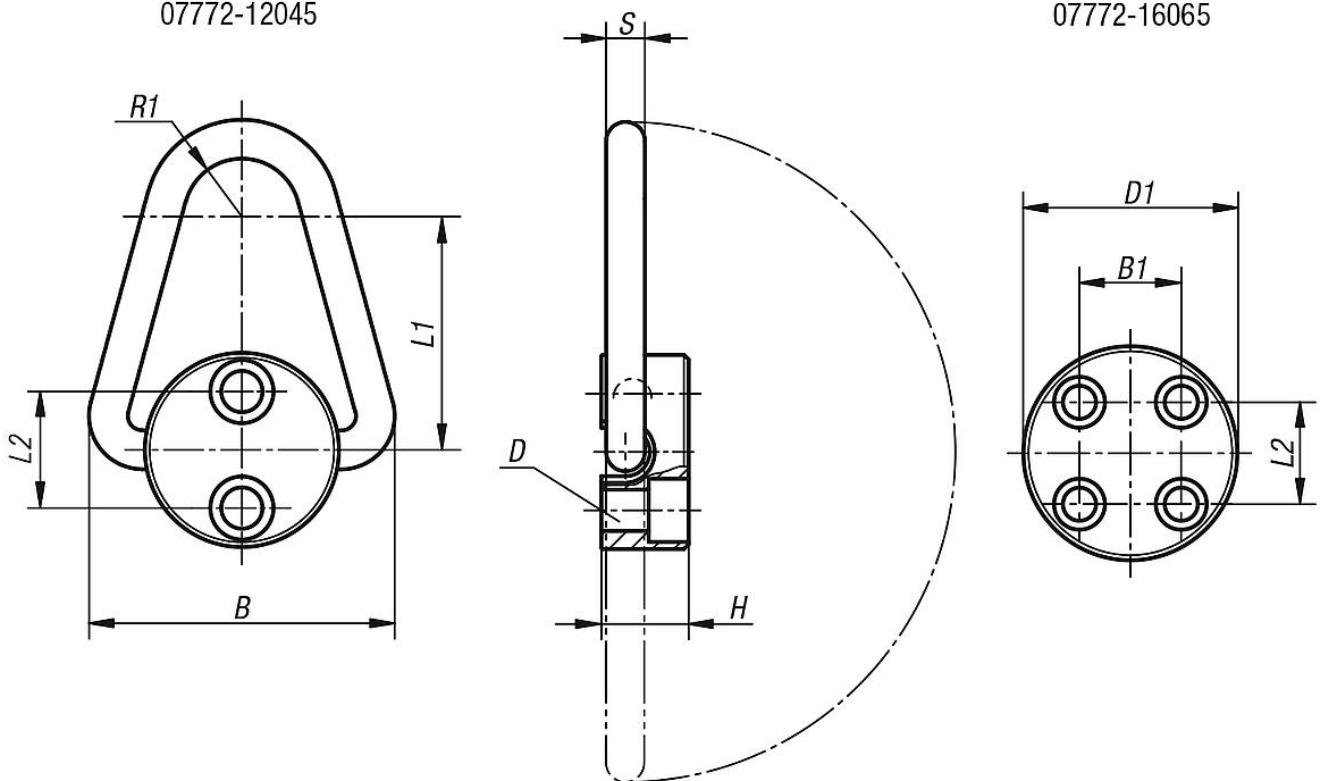
Lift with care! Avoid impacts!

In no event must the permissible load stamped on the hoist ring be exceeded.

Drawings

07772-08035
07772-10040
07772-12045

07772-12065
07772-16065



Overview of items

Order No.	D for screw DIN 912	D1	B	B1	H	L1	L2	R1	S	Tightening torque Nm	max. permissible load kg
07772-08035	M8X35 (2x)	45	65	-	19	51	25,4	13	8	10	900
07772-10040	M10X40 (2x)	57	81	-	22	64	28,6	16	10	15	1100
07772-12045	M12X45 (2x)	64	100	-	29	76	38,1	19	13	35	2250

Overview of items

Order No.	D for screw DIN 912	D1	B	B1	H	L1	L2	R1	S	Tightening torque Nm	max. permissible load kg
07772-12065	M12X65 (4x)	80	130	31,8	35	102	41,3	22	19	45	5400
07772-16065	M16X65 (4x)	92	160	31,8	48	127	52,4	25,4	25,4	100	9000