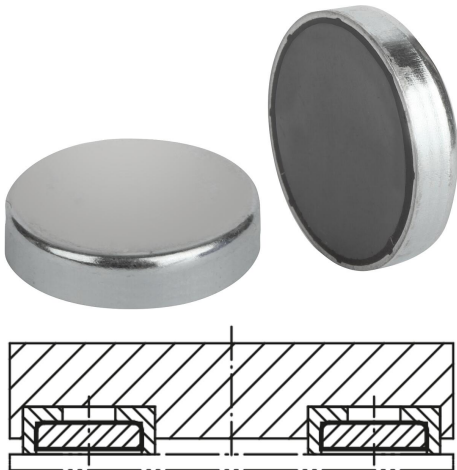


Item description/product images



Description

Material:

Housing, steel.
Magnetic core hard ferrite.

Version:

Housing, electro zinc-plated.

Note:

Shallow pot magnets without threaded bush. These magnets are pressed or glued into the receiving holes.

Hairline cracks in the magnetic material are unavoidable for technical reasons in the D=80 version. They do not impair the attracting function of the magnets in any way.

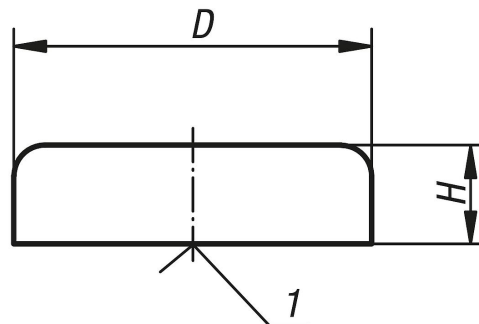
Temperature range:

max. 200°C.

Drawing reference:

1) magnetic face

Drawings



Overview of items

Order No.	D	H	Magnetic force N
09064-01	10 ±0,15	4,5	4
09064-02	13 ±0,15	4,5	10
09064-03	16 ±0,15	4,5	18
09064-04	20 ±0,15	6	30
09064-05	25 ±0,15	7	40
09064-06	32 ±0,20	7	80
09064-07	40 ±0,20	8	125
09064-08	50 ±0,20	10	220
09064-09	63 ±0,20	14	350
09064-10	80 ±0,25	18	600

