

Item description/product images

**Description****Material:**

Body steel.

Cam levers cast aluminium.

Version:

Body black oxidised.

T-nut electro zinc-plated.

Cam levers black powder coated.

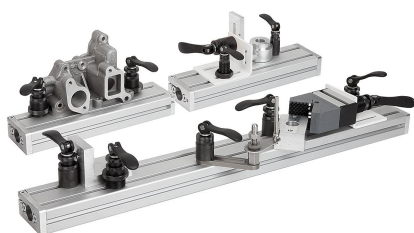
Note:

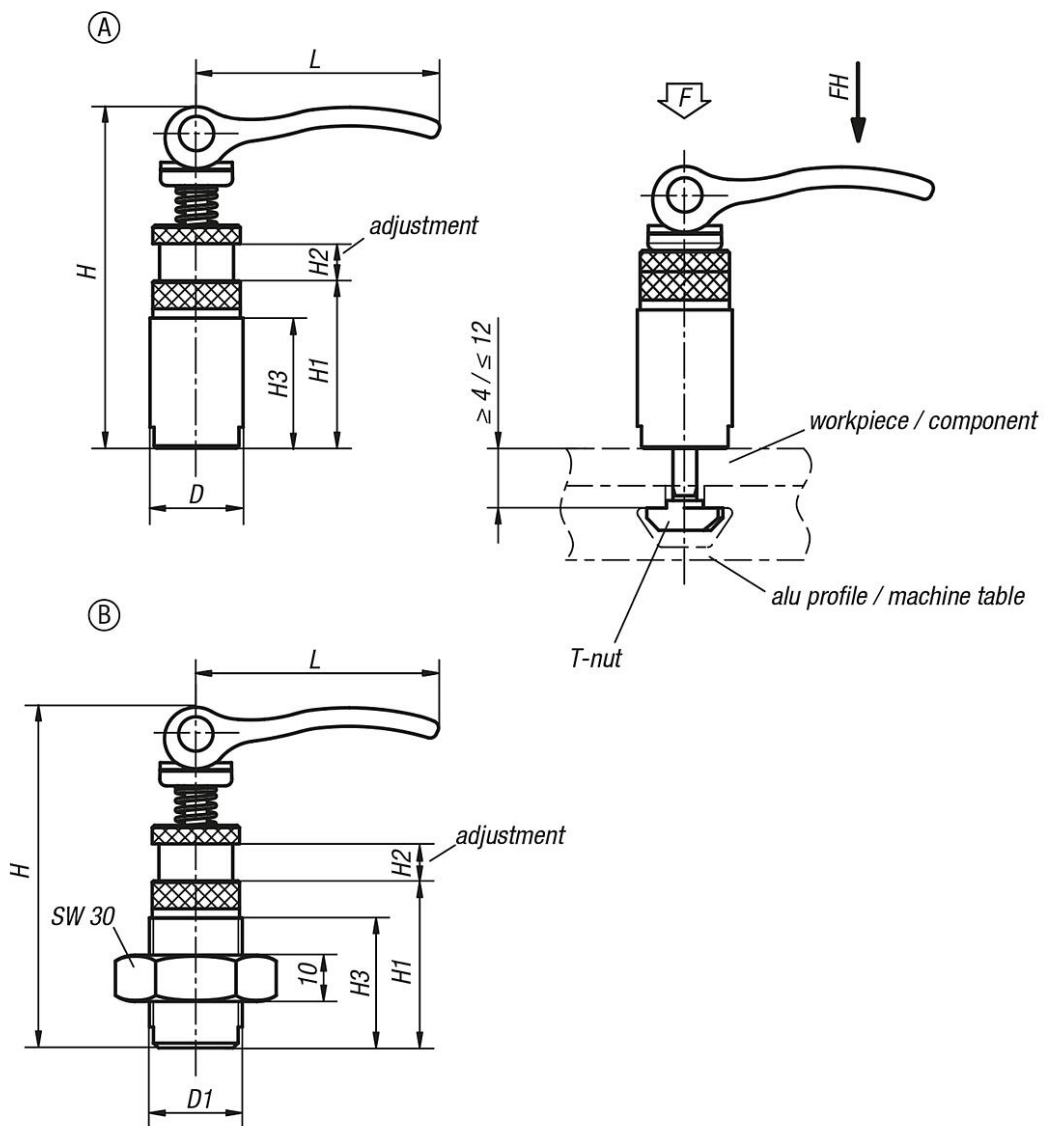
The clamp module is inserted into the T-slot from above and secured using the cam lever, no other tools required.

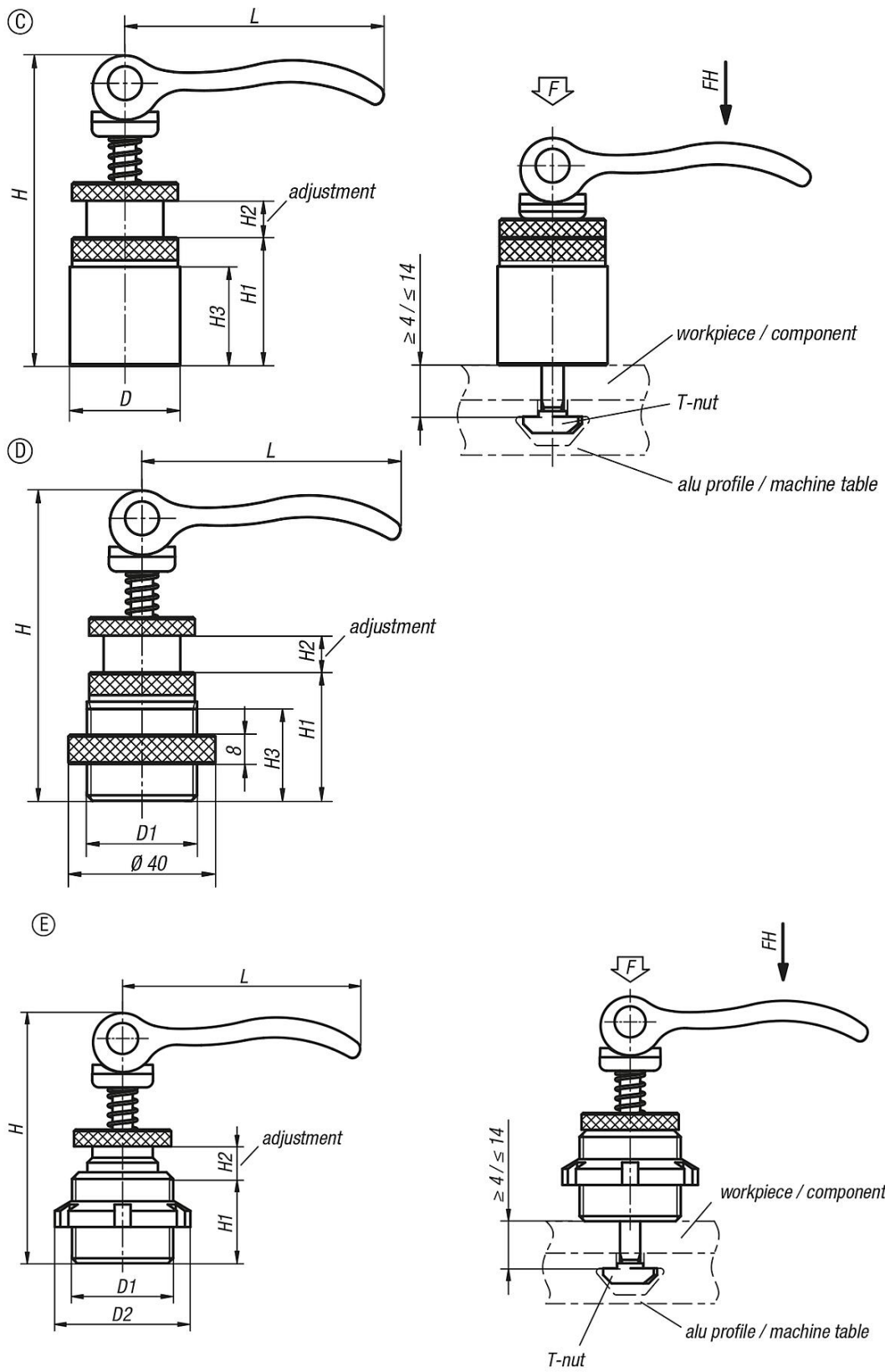
Advantages:

The eccentric clamp modules can be used on conventional aluminium profile systems or on T-slot tables as stops, fasteners or clamps for components and workpieces.

Item description/product images







Overview of items

| Order No. | Form | D | D1 | D2 | H | H1 | H2 | H3 | L | suitable for slot width | Clamping force F (kN) | Hand force FH N |
|----------------|------|----|---------|----|------|----|----|----|------|-------------------------|-----------------------|-----------------|
| 10500-00200808 | A | 20 | - | - | 73,5 | 36 | 8 | 28 | 52,3 | 8 | 2,5 | 100 |
| 10500-10200808 | B | - | M20x1,5 | - | 73,5 | 36 | 8 | 28 | 52,3 | 8 | 2,5 | 100 |
| 10500-21150606 | C | 15 | - | - | 34 | 10 | 6 | 7 | 35 | 6 | 1,5 | 90 |
| 10500-21201008 | C | 20 | - | - | 44 | 13 | 8 | 10 | 52 | 8 | 2,5 | 100 |
| 10500-21301008 | C | 30 | - | - | 84,6 | 35 | 10 | 25 | 70,4 | 8 | 4 | 120 |
| 10500-31301008 | D | - | M30x2 | 40 | 84,6 | 35 | 10 | 25 | 70,4 | 8 | 4 | 120 |
| 10500-41150706 | E | - | M15X1 | 25 | 39 | 14 | 7 | | 35 | 6 | 1,5 | 90 |
| 10500-41200908 | E | - | M20X1 | 32 | 50 | 18 | 9 | | 52 | 8 | 2,5 | 100 |