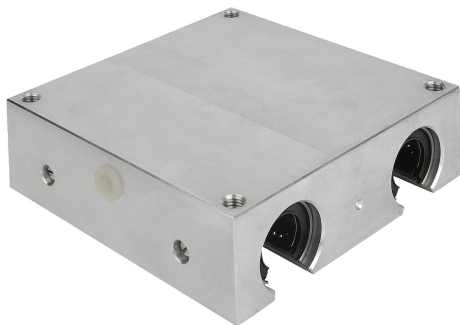


Item description/product images

**Description****Material:**

Housing aluminium

Version:

Housing bright.

Note:

Ready to install linear housing units consisting of an extruded aluminium housing with four self-aligning linear ball bearings 21510 and seals both sides. The bearings are secured in the housing with cap screws.

Recommended shaft tolerance: h6.

Load ratings according to the linear ball bearing specifications (x4).

On request:

Linear housing units can be equipped with any of our linear ball bearings.

Accessory:

End seals 21560.

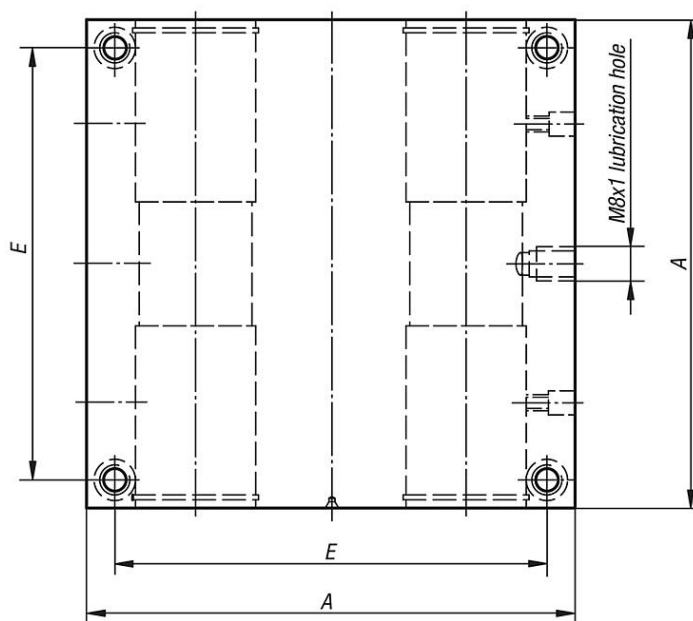
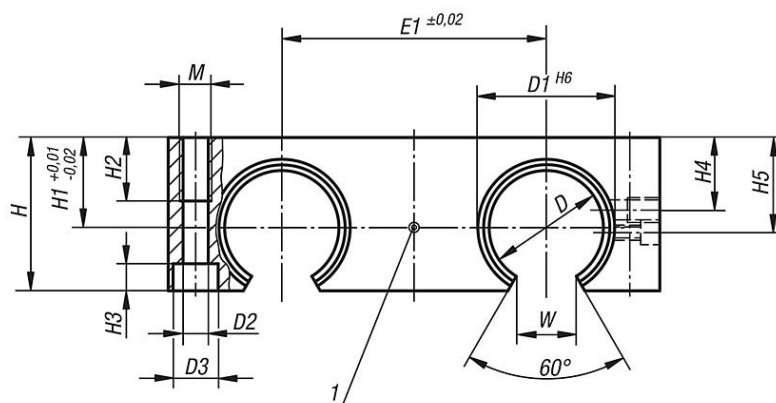
Precision guide shafts 21590 or 21595.

Fastening screws 07160 or 07161.

Drawing reference:

1) centring hole

Drawings



Overview of items

Order No.	A	D	D1	D2	D3	E	E1	H	H1	H2	H3	H4	H5	M	W
21555-121012	85	12	22	5,3	10	73	42	30	18	13	5,4	10	16,65	M6	7
21555-161012	100	16	26	5,3	10	88	54	35	22	13	5,4	12	22	M6	9,4
21555-201012	130	20	32	6,8	11	115	72	42	25	18	6,4	13	25	M8	10,2
21555-251012	160	25	40	9	15	140	88	51	30	22	8,6	15	31,5	M10	12,9
21555-301012	180	30	47	10,5	18	158	96	60	35	26	10,6	16	33	M12	13,9
21555-401012	230	40	62	13,5	20	202	122	77	45	34	12,6	20	43,5	M16	18,2
21555-501012	280	50	75	13,5	20	250	152	93	55	34	12,6	40	52,5	M16	22