

Item description/product images

**Description****Material:**

Ball bearing steel

Version:

Electro zinc-plated.
Tracks inductively hardened and ground.

Note for ordering:

Fastening screws are supplied.

Note:

Compact C-profile guide rails with internal hardened tracks. The system runs with low noise even under heavy loads.

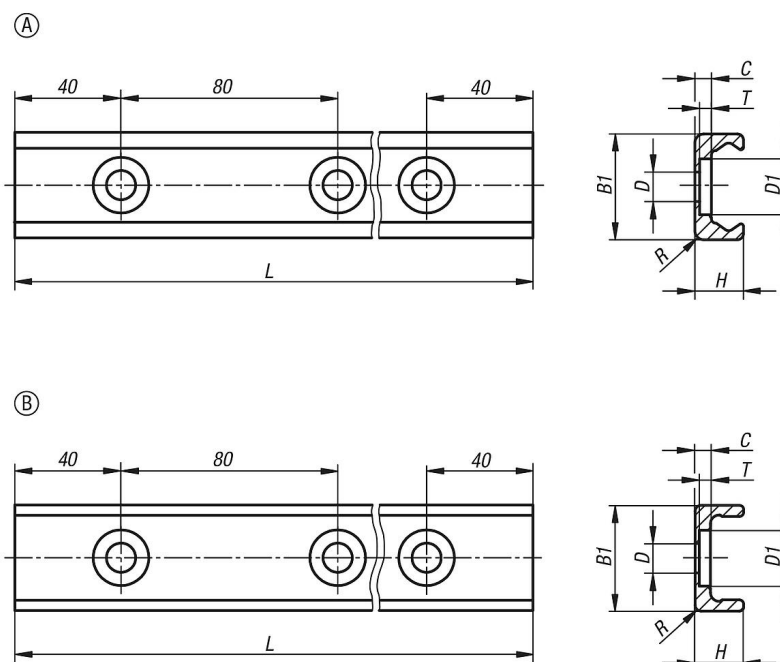
There is play between the screw and the fastening hole to allow the rail to be aligned during installation.

To achieve the desired running properties there must always be a film of lubricant between track and roller, this also provides corrosion protection for the ground tracks.

On request:

Lengths up to max. 4080 mm.

Drawings



Overview of items

Roller guide rails Form A for fixed bearings

Order No.	Form	Version 1	Size	B1	C	D for screw	D1	H	L	R	T
21322-118X0240	A	fixed bearing	18	18	2,8	M4	9,5	8,25	240	1,5	2
21322-118X0400	A	fixed bearing	18	18	2,8	M4	9,5	8,25	400	1,5	2
21322-118X0560	A	fixed bearing	18	18	2,8	M4	9,5	8,25	560	1,5	2
21322-118X0800	A	fixed bearing	18	18	2,8	M4	9,5	8,25	800	1,5	2
21322-118X1040	A	fixed bearing	18	18	2,8	M4	9,5	8,25	1040	1,5	2
21322-118X1200	A	fixed bearing	18	18	2,8	M4	9,5	8,25	1200	1,5	2
21322-128X0400	A	fixed bearing	28	28	3	M5	11	12,25	400	1	2
21322-128X0560	A	fixed bearing	28	28	3	M5	11	12,25	560	1	2
21322-128X0800	A	fixed bearing	28	28	3	M5	11	12,25	800	1	2
21322-128X1040	A	fixed bearing	28	28	3	M5	11	12,25	1040	1	2
21322-128X1200	A	fixed bearing	28	28	3	M5	11	12,25	1200	1	2
21322-128X1440	A	fixed bearing	28	28	3	M5	11	12,25	1440	1	2
21322-135X0400	A	fixed bearing	35	35	3,5	M6	14,5	16	400	2	2,7
21322-135X0560	A	fixed bearing	35	35	3,5	M6	14,5	16	560	2	2,7
21322-135X0800	A	fixed bearing	35	35	3,5	M6	14,5	16	800	2	2,7
21322-135X1040	A	fixed bearing	35	35	3,5	M6	14,5	16	1040	2	2,7
21322-135X1200	A	fixed bearing	35	35	3,5	M6	14,5	16	1200	2	2,7
21322-135X1440	A	fixed bearing	35	35	3,5	M6	14,5	16	1440	2	2,7
21322-143X0400	A	fixed bearing	43	43	4,5	M8	18	21	400	2,5	3,1
21322-143X0560	A	fixed bearing	43	43	4,5	M8	18	21	560	2,5	3,1
21322-143X0800	A	fixed bearing	43	43	4,5	M8	18	21	800	2,5	3,1
21322-143X1040	A	fixed bearing	43	43	4,5	M8	18	21	1040	2,5	3,1
21322-143X1200	A	fixed bearing	43	43	4,5	M8	18	21	1200	2,5	3,1
21322-143X1520	A	fixed bearing	43	43	4,5	M8	18	21	1520	2,5	3,1
21322-143X2000	A	fixed bearing	43	43	4,5	M8	18	21	2000	2,5	3,1
21322-218X0240	B	floating bearing	18	18	2,6	M4	9,5	8,25	240	1	1,9
21322-218X0400	B	floating bearing	18	18	2,6	M4	9,5	8,25	400	1	1,9
21322-218X0560	B	floating bearing	18	18	2,6	M4	9,5	8,25	560	1	1,9
21322-218X0800	B	floating bearing	18	18	2,6	M4	9,5	8,25	800	1	1,9
21322-218X1040	B	floating bearing	18	18	2,6	M4	9,5	8,25	1040	1	1,9
21322-218X1200	B	floating bearing	18	18	2,6	M4	9,5	8,25	1200	1	1,9
21322-228X0400	B	floating bearing	28	28	3	M5	11	12	400	1	2
21322-228X0560	B	floating bearing	28	28	3	M5	11	12	560	1	2

Overview of items

Order No.	Form	Version 1	Size	B1	C	D for screw	D1	H	L	R	T
21322-228X0800	B	floating bearing	28	28	3	M5	11	12	800	1	2
21322-228X1040	B	floating bearing	28	28	3	M5	11	12	1040	1	2
21322-228X1200	B	floating bearing	28	28	3	M5	11	12	1200	1	2
21322-228X1440	B	floating bearing	28	28	3	M5	11	12	1440	1	2
21322-235X0400	B	floating bearing	35	35	3,5	M6	14,5	16	400	1	2,7
21322-235X0560	B	floating bearing	35	35	3,5	M6	14,5	16	560	1	2,7
21322-235X0800	B	floating bearing	35	35	3,5	M6	14,5	16	800	1	2,7
21322-235X1040	B	floating bearing	35	35	3,5	M6	14,5	16	1040	1	2,7
21322-235X1200	B	floating bearing	35	35	3,5	M6	14,5	16	1200	1	2,7
21322-235X1440	B	floating bearing	35	35	3,5	M6	14,5	16	1440	1	2,7
21322-243X0400	B	floating bearing	43	43	4,5	M8	18	21	400	1	3,1
21322-243X0560	B	floating bearing	43	43	4,5	M8	18	21	560	1	3,1
21322-243X0800	B	floating bearing	43	43	4,5	M8	18	21	800	1	3,1
21322-243X1040	B	floating bearing	43	43	4,5	M8	18	21	1040	1	3,1
21322-243X1200	B	floating bearing	43	43	4,5	M8	18	21	1200	1	3,1
21322-243X1520	B	floating bearing	43	43	4,5	M8	18	21	1520	1	3,1
21322-243X2000	B	floating bearing	43	43	4,5	M8	18	21	2000	1	3,1