

Item description/product images



Description

Material:

Stainless steel 1.4125.
Seal, rubber NBR.

Version:

Sealed on both sides with a spherical outer ring.
Can be re-lubricated.

Note:

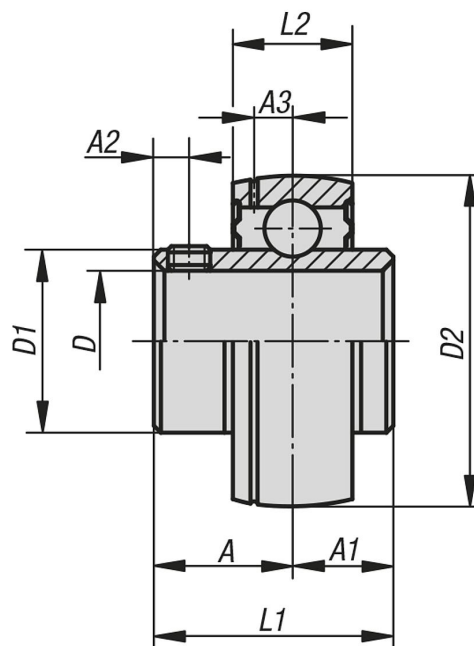
The internal construction of the insert bearings corresponds to that of standard Series 6200 and 6300 radial ball bearing. However, they have wider inner rings for easier fastening on shafts. The inner rings are manufactured with a plus tolerance. This results in transition or press fits when using shafts with h-tolerances. The shaft is secured by 2 grub screws positioned 120° apart on the inner ring.

The insert bearings are ready to install and are permanently lubricated with a suitable ball bearing grease. In normal applications, re-lubrication is not necessary.

Temperature range:

-15 °C to +100 °C.

Drawings



Overview of items

| Order No. | Bearing | D | A | A1 | A2 | A3 | D1 | D2 | L1 | L2 | Grub screw | Dynamic base loads kN | Static base loads kN |
|-------------|---------|----|------|------|-----|-----|------|----|------|----|------------|-----------------------|----------------------|
| 24248-20204 | MUC 204 | 20 | 18,3 | 12,7 | 4,8 | 3,7 | 29 | 47 | 31 | 17 | M6x0,75 | 9,88 | 6,2 |
| 24248-25205 | MUC 205 | 25 | 19,8 | 14,3 | 5 | 3,9 | 34 | 52 | 34,1 | 17 | M6x0,75 | 7,36 | 6,98 |
| 24248-30206 | MUC 206 | 30 | 22,2 | 15,9 | 5 | 5 | 40,5 | 62 | 38,1 | 19 | M6x0,75 | 14,97 | 10,04 |
| 24248-35207 | MUC 207 | 35 | 25,4 | 17,5 | 7 | 5,7 | 48 | 72 | 42,9 | 20 | M8x1 | 19,75 | 13,67 |
| 24248-40208 | MUC 208 | 40 | 30,2 | 19 | 8 | 6,2 | 53 | 80 | 49,2 | 21 | M8x1 | 22,71 | 15,94 |

Overview of items

| Order No. | Bearing | D | A | A1 | A2 | A3 | D1 | D2 | L1 | L2 | Grub screw | Dynamic base loads kN | Static base loads kN |
|-------------|---------|----|------|----|----|-----|------|----|------|----|------------|-----------------------|----------------------|
| 24248-45209 | MUC 209 | 45 | 30,2 | 19 | 8 | 6,4 | 57,3 | 85 | 49,2 | 22 | M8x1 | 24,36 | 17,71 |
| 24248-50210 | MUC 210 | 50 | 32,6 | 19 | 10 | 6,5 | 63 | 90 | 51,6 | 24 | M10x1,25 | 26,98 | 19,84 |