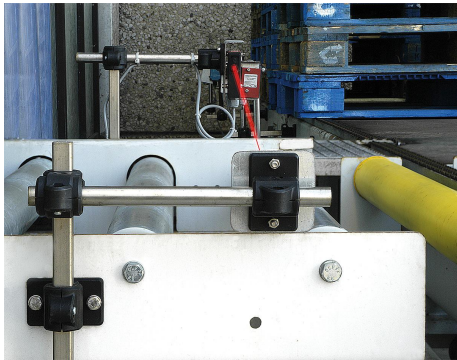
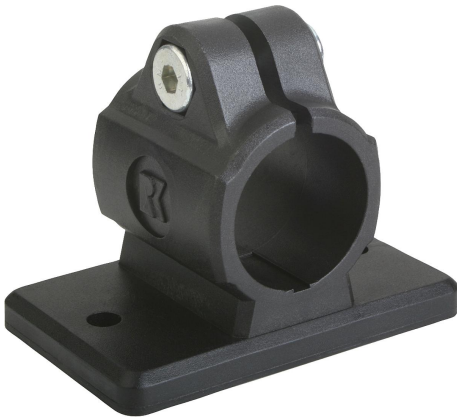


Item description/product images

**Description****Material:**

Thermoplastic.

DIN 7984 screws and DIN 985 nuts steel.

Version:

Black.

Screws and nuts electro zinc-plated.

Note:

The standard size for round tubes is $\varnothing 18$ mm or $\varnothing 30$ mm. Use reducer sleeves 29042 if smaller tubes are to be clamped or a conversion from round to square tubes is required.

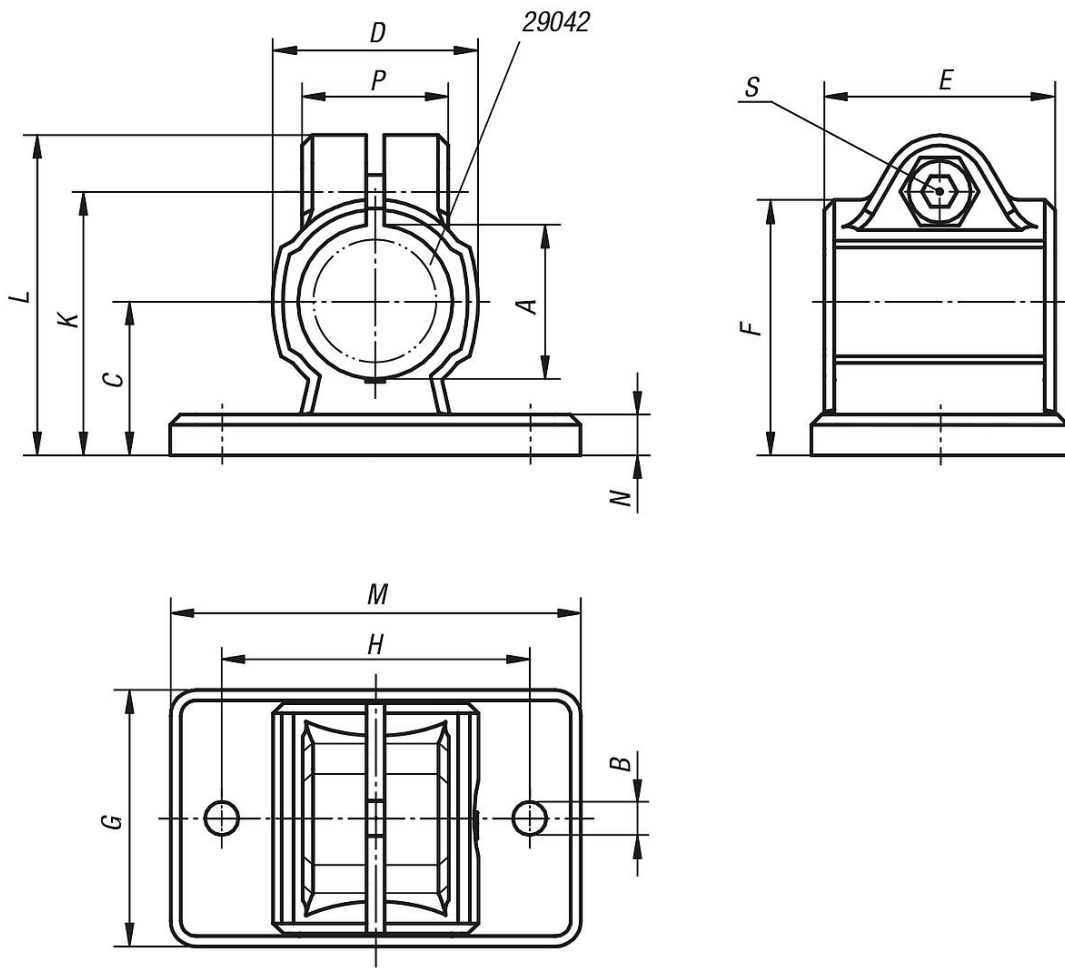
On request:

Plastic clamping levers for tightening.

Accessory:

- Reducer sleeves 29042
- Round and square tubes 29050

Drawings



Overview of items

Order No.	A	B	C	D	E	F	G	H	K	L	M	N	P	S
29014-18	18	5,3	18	25	30	30,5	35	40	32	39,5	50	5	21	M6x18
29014-30	30	6,5	30	40	45	50	50	60	51,5	62,5	80	8	28,5	M8x25