

Item description/product images

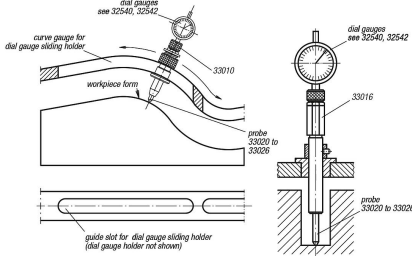


Description

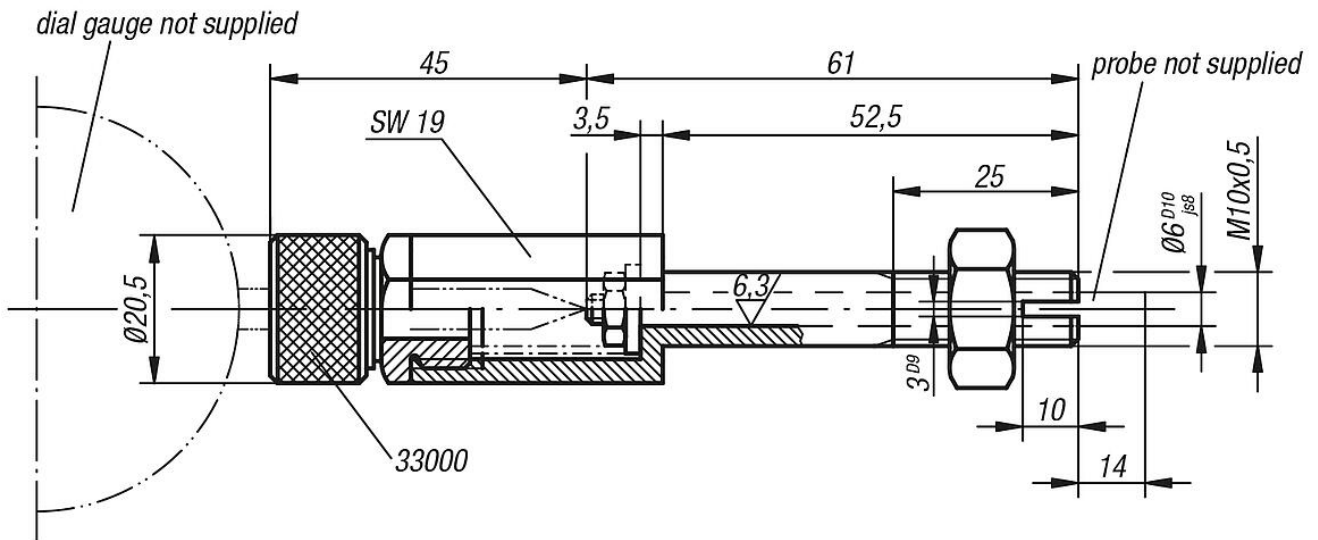
Material:
Carbon steel.

Version:
Black oxidised.
Collet and body tempered.

Note:
Dial gauges and probes are not included.
Dial gauges see 32540 and 32542.
Probes see 33028 up to 33032.



Drawings



Overview of items

Order No.	Supplied for the probe pin
33018-06053	1 washer 4.3 x 14 x 0.91 hex nut M41 spring