

## Item description/product images

**Description****Material:**

Housing and actuator die-cast zinc.

**Version:**

Housing and actuator chrome-plated.

**Note:**

Rating IP65. This is achieved using an additional O-ring underneath the actuator and a flat seal attached to the housing. The quarter-turn lock can be installed pre-assembled.

Please order the required tongue separately. Every tongue can be combined with this housing.

**Accessory:**

Key 05586.

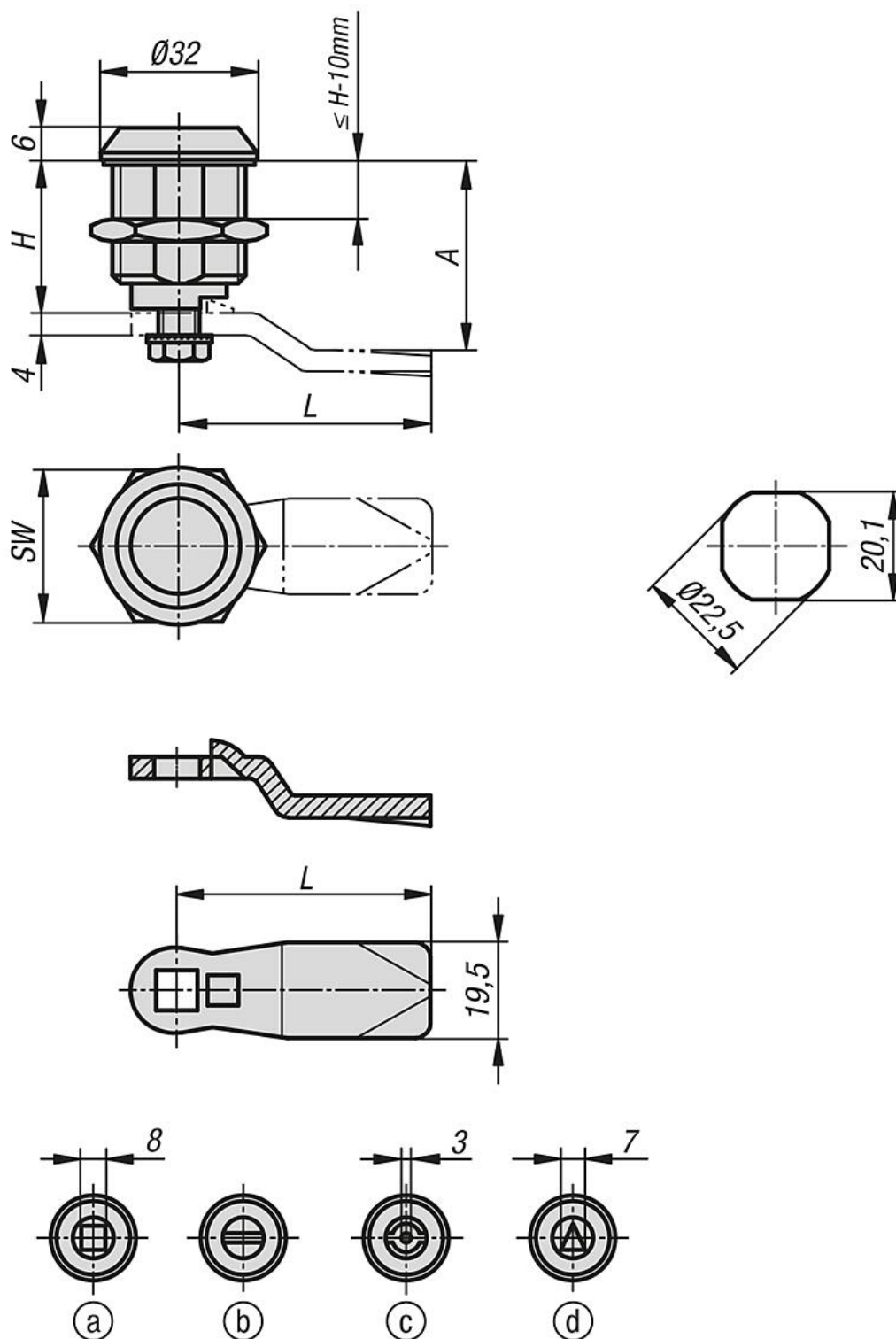
Tongue for steel quarter-turn lock 05569.

**Drawing reference:**

Actuation:

- a) square 8 mm
- b) slit
- c) double lug 3 mm
- d) triangle 7 mm

Drawings



Overview of items

Order No.	H	Actuation	S max.	SW
05568-18301	30	square 8 mm	18	27
05568-40301	30	double lug 3 mm	18	27
05568-20301	30	slot	18	27

## Overview of items

Order No.	H	Actuation	S max.	SW
05568-87301	30	Triangle 7 mm	18	27
05568-18401	40	square 8 mm	18	27
05568-40401	40	double lug 3 mm	18	27
05568-20401	40	slot	18	27
05568-87401	40	Triangle 7 mm	18	27
05568-18501	50	square 8 mm	18	27
05568-40501	50	double lug 3 mm	18	27
05568-20501	50	slot	18	27
05568-87501	50	Triangle 7 mm	18	27