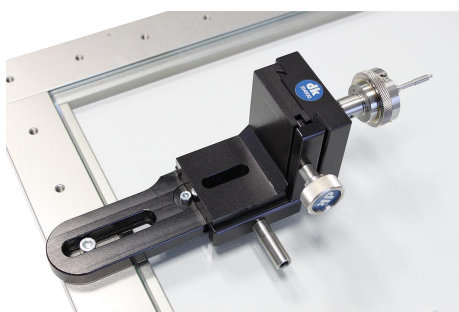
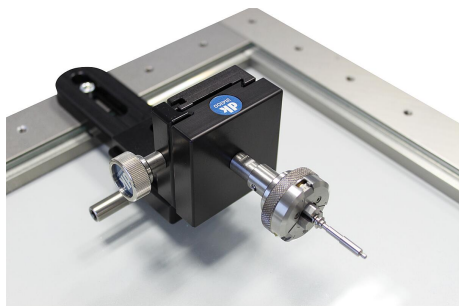


Item description/product images



Description

Material:

Aluminium.
Screw stainless steel.

Version:

Hard anodised.
Screws bright.

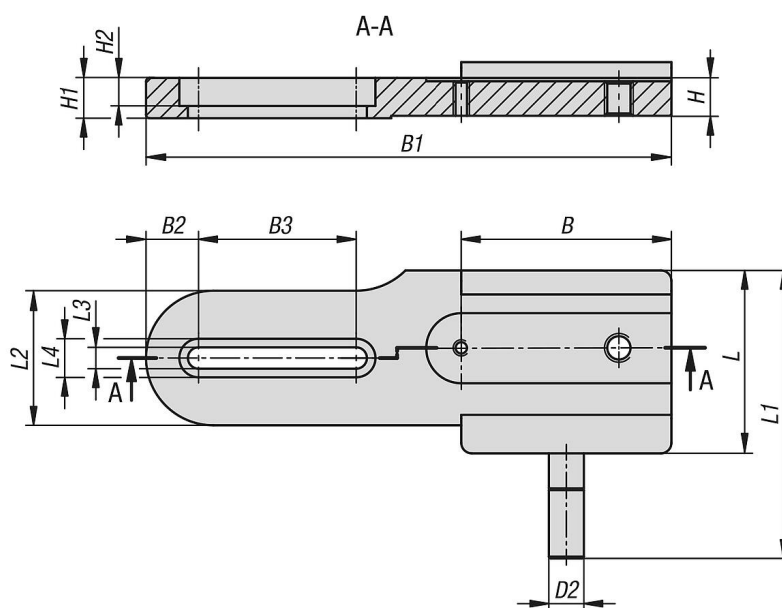
Note:

The quick-action clamps serve as the basis of a quick-change system. The quick-action clamps can be mounted directly on the machine table or baseplate via the extension and positioned individually using the slotted hole. The quick-action clamps can be connected tool-free to all products which have a quick-release mount.

Accessory:

Quick-action clamp with angle element 33227-10.
Rotatable quick-action clamp with angle element 34007.
Rotatable quick-action clamp 34007-02.
Precision vice 33225-5003511.
Precision centric vice 34010.
Precision 3-jaw chuck 34011.
Adapter 33226-05.
Needle support 33227.
Small part clamp 34012.
Magnetic V-block 34013.
V-block with spring finger 34013-05.
V-block 34013-10.

Drawings



Overview of items

Overview of items

Basic quick-action clamp, aluminium with extension

Order No.	B	B1	B2	B3	D2	H	H1	H2	L	L1	L2	L3	L4
34021-15038	60	150	15	45	10	10,8	11,5	8	53,5	83,6	38,4	6,1	11