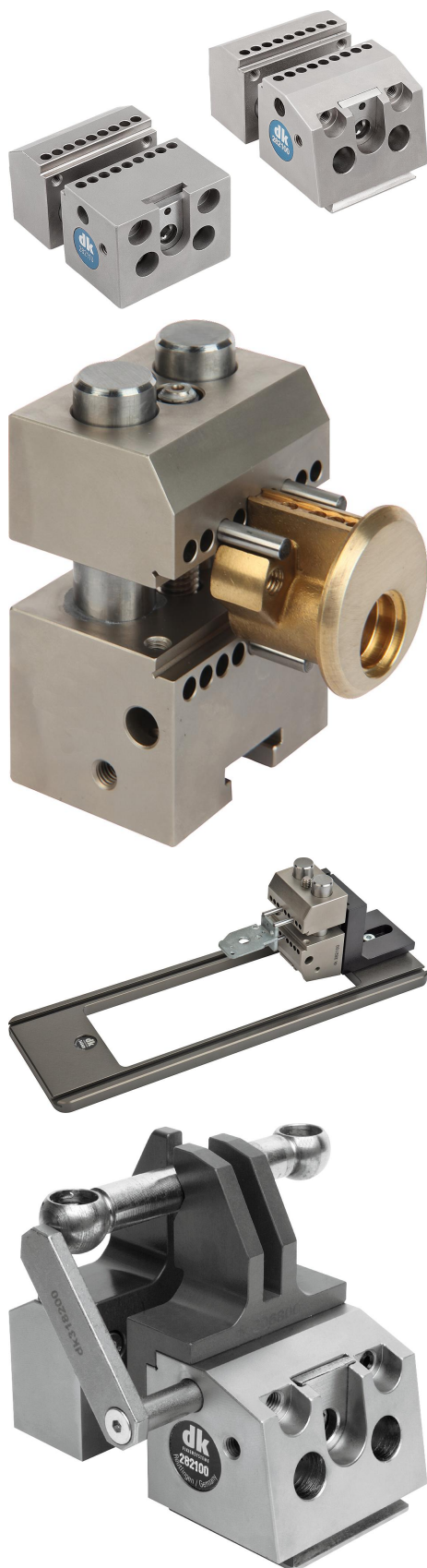


Item description/product images

**Description****Material:**

Steel.

Version:

surface-hardened and precision-ground.

Note:

The precision vice is a flexible solution for positioning and securing workpieces quickly and easily for measurement on measuring machines. Clamping is carried out via the offset jaws or pins that can be inserted into the jaws. This also enables workpieces with internal bores to be clamped. Thanks to the interchangeable guiding columns, the clamping width can be increased from 35 mm to as high as 75 mm.

Form A: The precision vice can be placed on the inspection table in 4 positions each at a right angle to one another.

Form B: The precision vice can be connected to all (basic) quick-action clamps to form a quick-change system. This enables the vice to be mounted quickly and effectively on various quick-release holders.

On request:

Set of columns for extending the clamping width 100 mm or 150 mm.

Supplied with:

Adjustable length stop, column set for clamping width and spindle extension up to 75 mm, 4 DIN 6325 4x20 parallel pins and operating tools.

Accessory:

Accessories 33225.

Baseplates 34031.

Positioning stage 34031-05.

Basic quick-action clamp 33227-05.

Basic quick-action clamp 34006.

Basic quick-action clamp 34021.

Cross table 34031-10.

Quick-action clamp with angle element 33227-10.

Rotatable quick-action clamp with angle element 34007.

Rotatable quick-action clamp 34007-02.

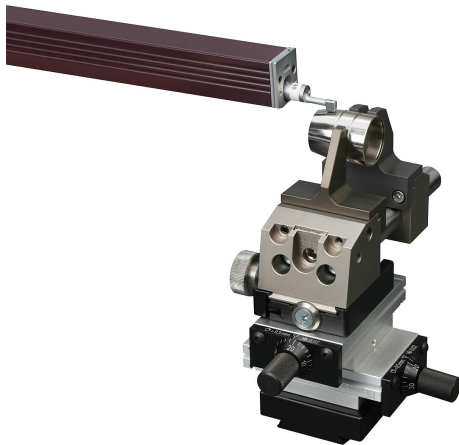
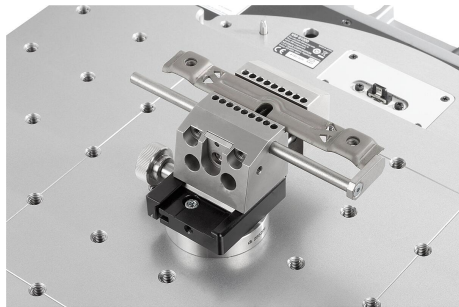
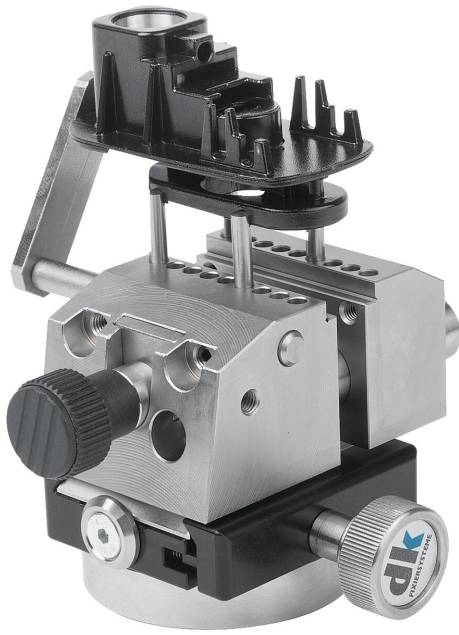
Drawing reference:

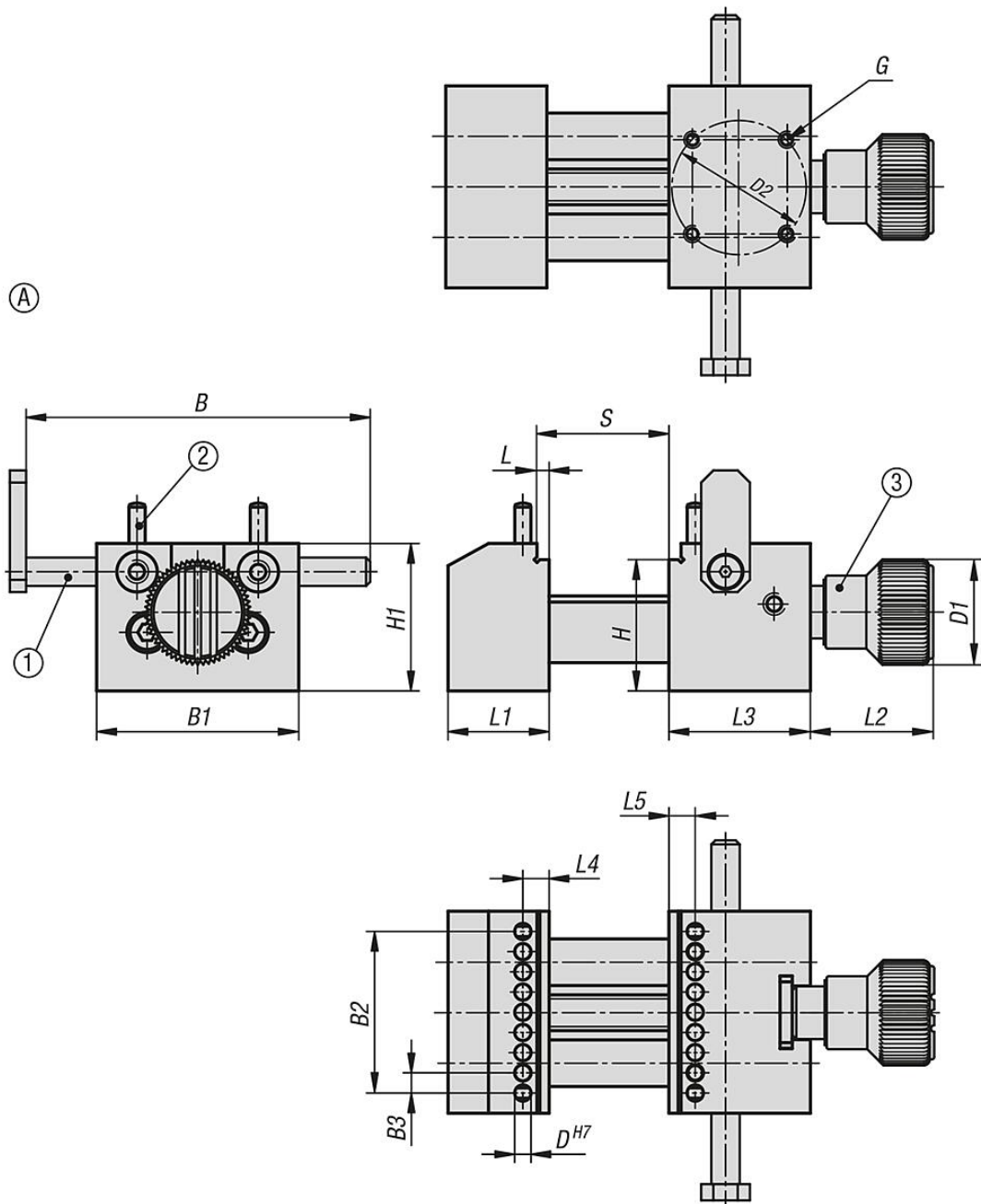
1) adjustable length stop

2) parallel pin

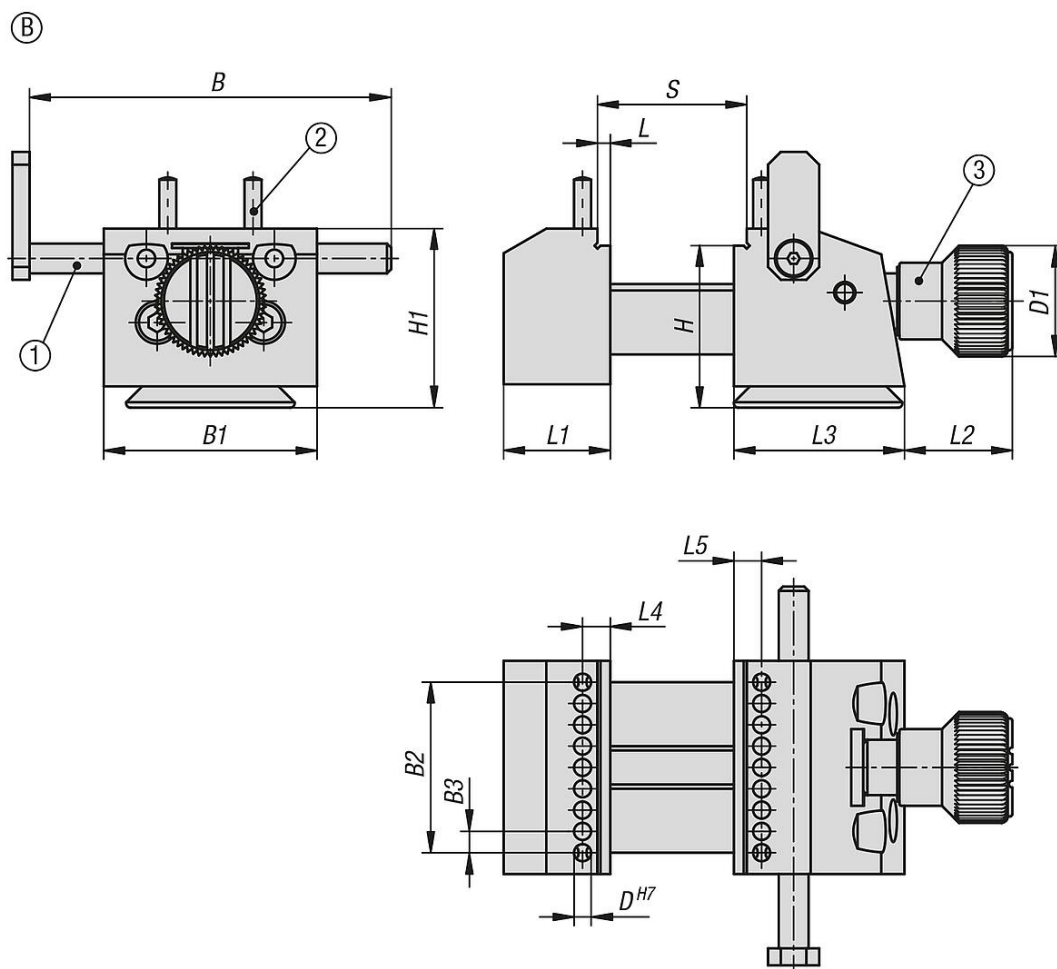
3) operating tools

Item description/product images





Drawings



Overview of items

Order No.	Form	B	B1	B2	B3	D	D1	D2	G	H	H1	Travel S	L	L1	L2	L3	L4	L5
33225-500351	A	150	50	40	5	4,02	26	33	M4	32,5	36,5	0-35	3	25	25,9	35	6,5	6,5
33225-5003511	B	150	50	40	5	4,02	26	-	-	38,2	42	0-35	3	25	25,4	40	6,5	6,5