

Item description/product images



Description

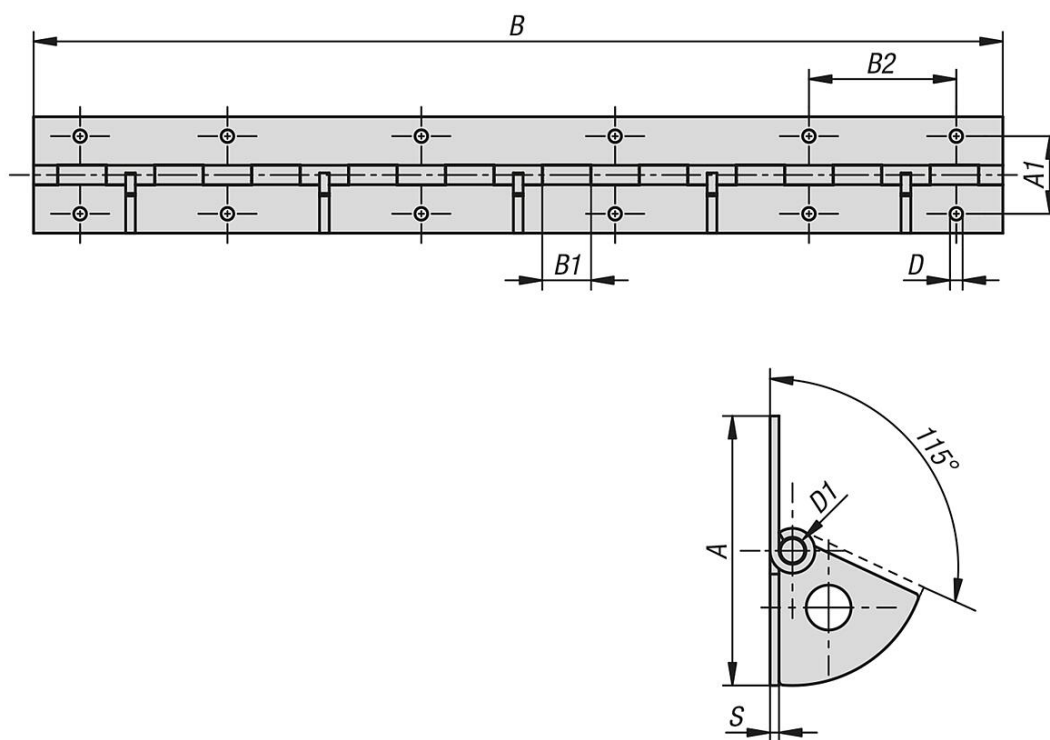
Material:
Stainless steel A2.

Note:
Piano hinges with stop at 65° offer an excellent solution for applications that require specific positioning. Made from high-quality stainless steel, they guarantee first-class durability and corrosion resistance, making them ideal for demanding environments.

These drilled hinges facilitate installation and offer a quick and reliable fastening solution. The stop at 65° enables the position of the hinges to be defined, which is particularly important for applications that require a specific opening or inclination.

Thanks to the precise design, piano hinges enable smooth movement and long service life without signs of wear. They offer a stable and reliable fastening solution for a wide range of projects and fulfil the most demanding requirements.

Drawings



Overview of items

Order No.	A	A1	B	B1	B2	D	D1	S
27877-40-11060050020	60	40	500	25	76	6,5	6	2
27877-40-11060100020	60	40	1000	25	76	6,5	6	2

