

Item description/product images



**Description**

**Material:**

Guide bushes low carbon steel 1.7139.

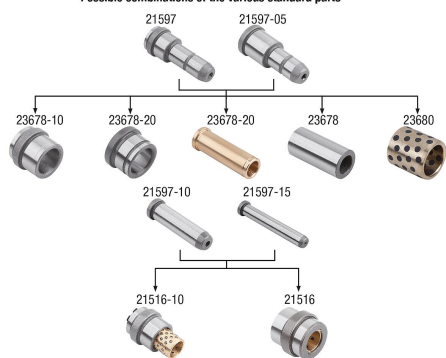
**Version:**

case-hardened.

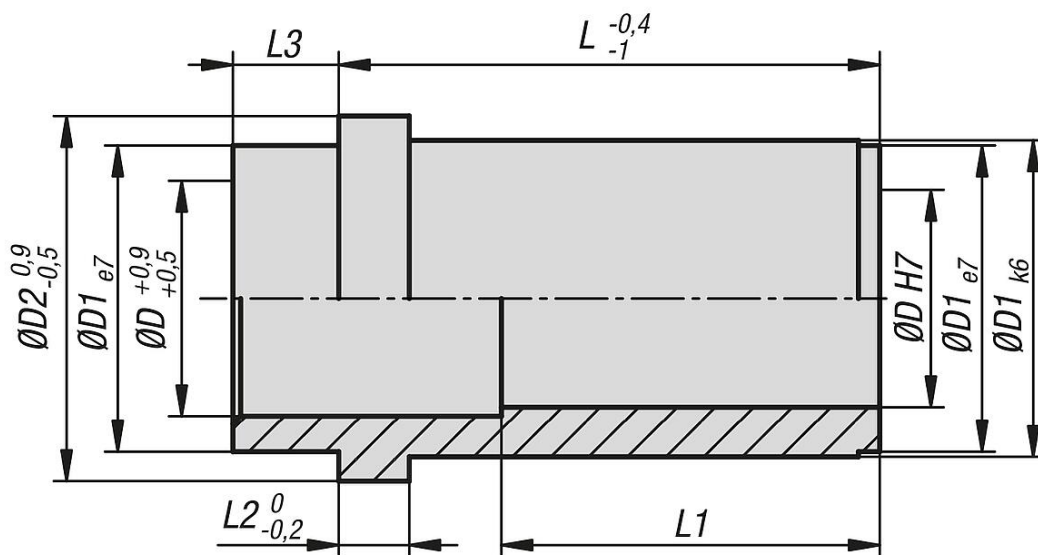
**Note:**

The steel guide bushes with centring collar are components that can be used in tool and die making. They are used to ensure precise guidance, alignment and positioning of tools, dies or other moving parts.

Possible combinations of the various standard parts



Drawings



Overview of items

Order No.	D	D1	D2	L	L1	L2	L3
23678-10-09***	9	14	16	12	12	3	3
23678-10-09***	9	14	16	17	17	3	3
23678-10-09***	9	14	16	22	22	3	3
23678-10-09***	9	14	16	27	27	3	3
23678-10-09***	9	14	16	36/46/56/66	36	3	3

## Overview of items

Order No.	D	D1	D2	L	L1	L2	L3
23678-10-10***	10	14	16	12	12	3	3
23678-10-10***	10	14	16	17	17	3	3
23678-10-10***	10	14	16	22	22	3	3
23678-10-10***	10	14	16	27	27	3	3
23678-10-10***	10	14	16	36/46/56/66	36	3	3
23678-10-14***	14	20	25	17	17	6	9
23678-10-14***	14	20	25	22	22	6	9
23678-10-14***	14	20	25	27	27	6	9
23678-10-14***	14	20	25	36	36	6	9
23678-10-14***	14	20	25	46/56/66/76/86/96/116	46	6	9
23678-10-15***	15	20	25	17	17	6	9
23678-10-15***	15	20	25	22	22	6	9
23678-10-15***	15	20	25	27	27	6	9
23678-10-15***	15	20	25	36	36	6	9
23678-10-15***	15	20	25	46/56/66/76/86/96/116	46	6	9
23678-10-18***	18	26	31	17	17	6	9
23678-10-18***	18	26	31	22	22	6	9
23678-10-18***	18	26	31	27	27	6	9
23678-10-18***	18	26	31	36	36	6	9
23678-10-18***	18	26	31	46	46	6	9
23678-10-18***	18	26	31	56/66/76/86/96/116/136	56	6	9
23678-10-20***	20	26	31	17	17	6	9
23678-10-20***	20	26	31	22	22	6	9
23678-10-20***	20	26	31	27	27	6	9
23678-10-20***	20	26	31	36	36	6	9
23678-10-20***	20	26	31	46	46	6	9
23678-10-20***	20	26	31	56/66/76/86/96/116/136	56	6	9
23678-10-22***	22	30	35	17	17	6	9
23678-10-22***	22	30	35	22	22	6	9
23678-10-22***	22	30	35	27	27	6	9
23678-10-22***	22	30	35	36	36	6	9
23678-10-22***	22	30	35	46	46	6	9
23678-10-22***	22	30	35	56	56	6	9
23678-10-22***	22	30	35	66	66	6	9
23678-10-22***	22	30	35	76/86/96/116/136/156	76	6	9
23678-10-24***	24	30	35	17	17	6	9
23678-10-24***	24	30	35	22	22	6	9
23678-10-24***	24	30	35	27	27	6	9
23678-10-24***	24	30	35	36	36	6	9
23678-10-24***	24	30	35	46	46	6	9
23678-10-24***	24	30	35	56	56	6	9
23678-10-24***	24	30	35	66	66	6	9
23678-10-24***	24	30	35	76/86/96/116/136/156	76	6	9
23678-10-30***	30	42	47	22	22	6	9
23678-10-30***	30	42	47	27	27	6	9
23678-10-30***	30	42	47	36	36	6	9
23678-10-30***	30	42	47	46	46	6	9
23678-10-30***	30	42	47	56	56	6	9
23678-10-30***	30	42	47	66	66	6	9
23678-10-30***	30	42	47	76	76	6	9
23678-10-30***	30	42	47	86	86	6	9
23678-10-30***	30	42	47	96/116/136/156/176/196	96	6	9
23678-10-32***	32	42	47	22	22	6	9
23678-10-32***	32	42	47	27	27	6	9
23678-10-32***	32	42	47	36	36	6	9
23678-10-32***	32	42	47	46	46	6	9
23678-10-32***	32	42	47	56	56	6	9
23678-10-32***	32	42	47	66	66	6	9
23678-10-32***	32	42	47	76	76	6	9
23678-10-32***	32	42	47	86	86	6	9
23678-10-32***	32	42	47	96/116/136/156/176/196	96	6	9
23678-10-40***	40	54	60	36	36	10	12
23678-10-40***	40	54	60	46	46	10	12
23678-10-40***	40	54	60	56	56	10	12
23678-10-40***	40	54	60	66	66	10	12

## Overview of items

Order No.	D	D1	D2	L	L1	L2	L3
23678-10-40***	40	54	60	76	76	10	12
23678-10-40***	40	54	60	86	86	10	12
23678-10-40***	40	54	60	96	96	10	12
23678-10-40***	40	54	60	116/136/156/176/196/216/246	116	10	12
23678-10-42***	42	54	60	36	36	10	12
23678-10-42***	42	54	60	46	46	10	12
23678-10-42***	42	54	60	56	56	10	12
23678-10-42***	42	54	60	66	66	10	12
23678-10-42***	42	54	60	76	76	10	12
23678-10-42***	42	54	60	86	86	10	12
23678-10-42***	42	54	60	96	96	10	12
23678-10-42***	42	54	60	116/136/156/176/196/216/246	116	10	12